

# HITACHI

---

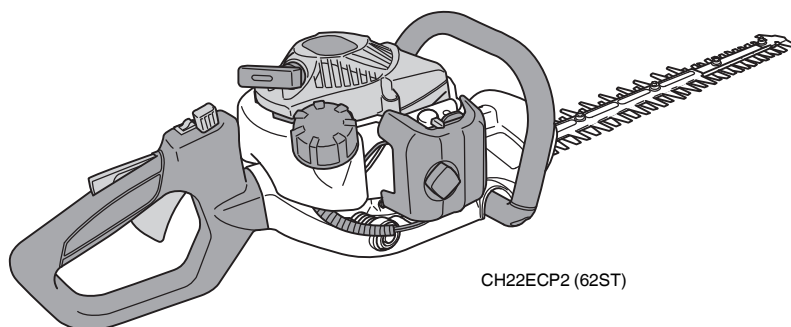
**Hedge Trimmer**  
**Heckenschere**  
**Taille-Haies**  
**Tosasiipi**  
**Motor heggenschaar**  
**Cortasetos**

**Corta-sebes**  
**Häcksax**  
**Hækkeklipper**  
**Hekksaks**  
**Pensasleikkuri**

---

**CH 22EAP2 (50ST)/CH 22EA2 (50ST)/CH 22EBP2 (62ST)**  
**CH 22EB2 (62ST)/CH 22ECP2 (62ST)/CH 22EC2 (62ST)**  
**CH 22ECP2 (78ST)/CH 22EC2 (78ST)**

---



CH22ECP2 (62ST)



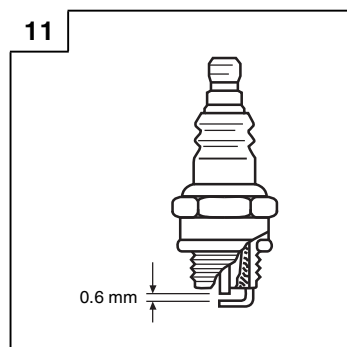
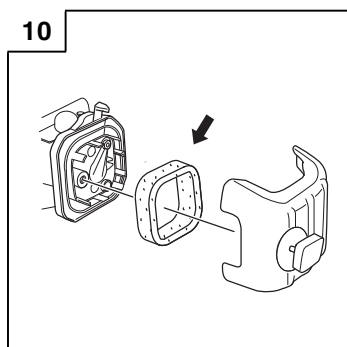
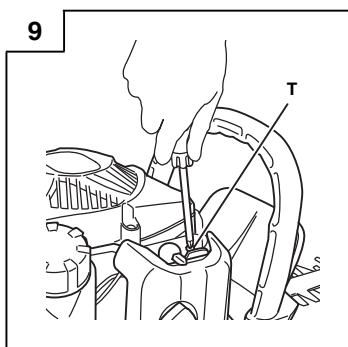
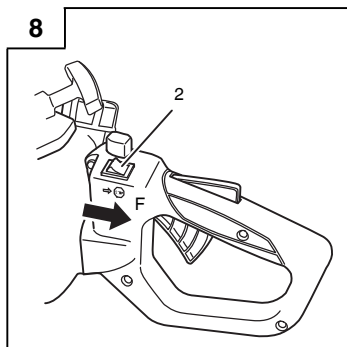
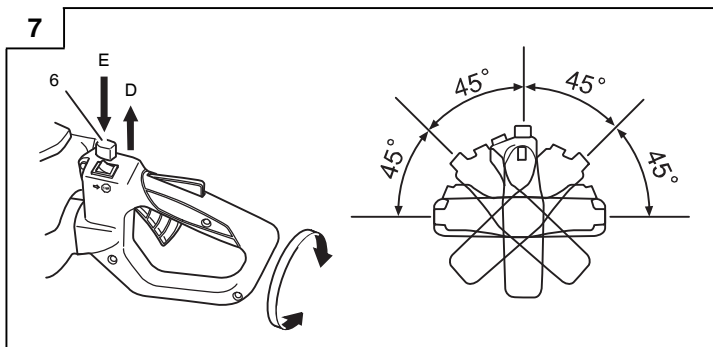
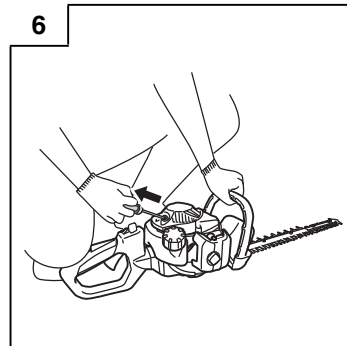
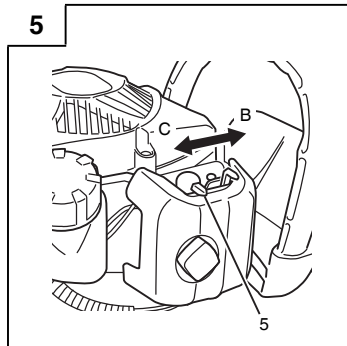
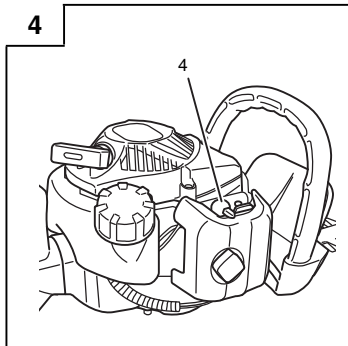
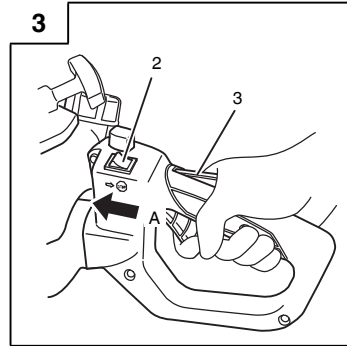
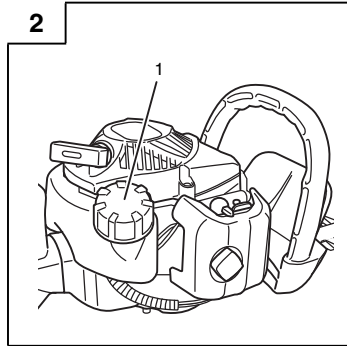
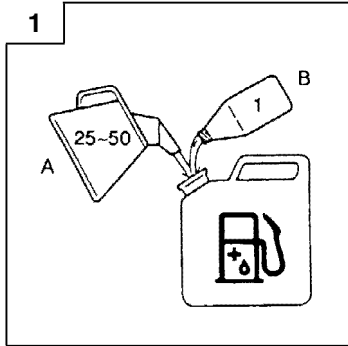
Read the manual carefully before operating this machine.  
Lesen Sie vor der Verwendung diese Anleitung sorgfältig durch.  
Lire attentivement le manuel avant d'utiliser la machine.  
Leggere attentamente il manuale prima di mettere in funzione questa apparecchiatura.  
Lees de handleiding zorgvuldig door voordat u de machine bedient.  
Antes de utilizar esta máquina, lea cuidadosamente el manual.  
Leia o manual atentamente antes de operar esta máquina.  
Läs noga igenom bruksanvisningen innan maskinen tas i bruk.  
Læs denne brugsvejledning omhyggeligt, inden maskinen tages i brug.  
Bruksanvisningen må leses nøye før bruk av maskinen.  
Lue ohjekirja huolellisesti ennen koneen käyttämistä.

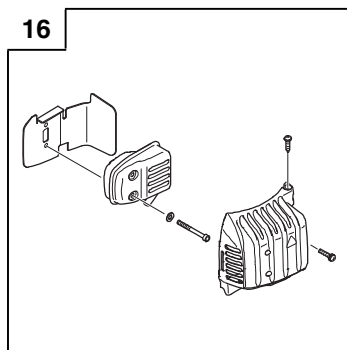
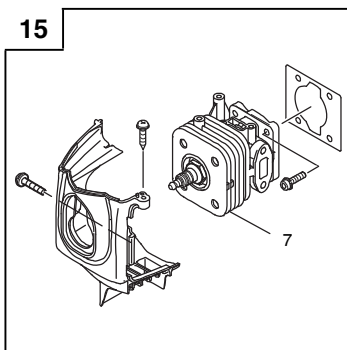
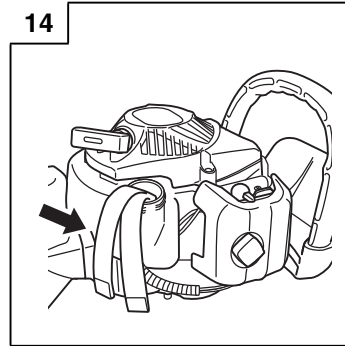
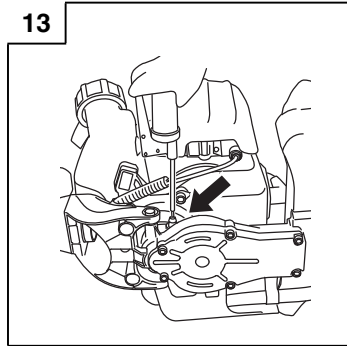
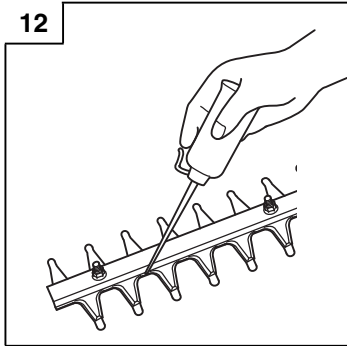
---

**Handling instructions**  
**Bedienungsanleitung**  
**Mode d'emploi**  
**Istruzioni per l'uso**  
**Gebbruiksaanwijzing**  
**Instrucciones de manejo**

**Instruções de uso**  
**Bruksanvisning**  
**Brugsanvisning**  
**Bruksanvisning**  
**Käyttöohjeet**












**Hitachi Koki**





**MEANINGS OF SYMBOLS**

**NOTE:** Some units do not carry them.

| <b>Symbols</b>                                                                                                                                                                                                                                                                            |                                                                                                                                                                                    |
|-------------------------------------------------------------------------------------------------------------------------------------------------------------------------------------------------------------------------------------------------------------------------------------------|------------------------------------------------------------------------------------------------------------------------------------------------------------------------------------|
|  <b>WARNING</b><br>The following show symbols used for the machine. Be sure that you understand their meaning before use.                                                                                |                                                                                                                                                                                    |
|                                                                                                                                                                                                          | It is important that you read, fully understand and observe the following safety precautions and warnings. Careless or improper use of the unit may cause serious or fatal injury. |
|                                                                                                                                                                                                          | Off/Stop                                                                                                                                                                           |
|                                                                                                                                                                                                          | Read, understand and follow all warnings and instructions in this manual and on the unit.                                                                                          |
|                                                                                                                                                                                                          | Emergency stop                                                                                                                                                                     |
|                                                                                                                                                                                                          | Always wear eye, head and ear protectors when using this unit.                                                                                                                     |
|                                                                                                                                                                                                          | Fuel and oil mixture                                                                                                                                                               |
|                                                                                                                                                                                                          | Choke - Run position (Open)                                                                                                                                                        |
|                                                                                                                                                                                                          | Hot surface                                                                                                                                                                        |
|                                                                                                                                                                                                          | Choke - Choked position (Closed)                                                                                                                                                   |
|                                                                                                                                                                                                         | On/Start                                                                                                                                                                           |
| <p><b>Before using your machine</b></p> <ul style="list-style-type: none"> <li>• Read the manual carefully.</li> <li>• Check that the cutting equipment is correctly assembled and adjusted.</li> <li>• Start the unit and check the carburetor adjustment. See "MAINTENANCE".</li> </ul> |                                                                                                                                                                                    |

**Contents**

WHAT IS WHAT? ..... 5

WARNINGS AND SAFETY INSTRUCTIONS ..... 6

SPECIFICATIONS ..... 7

OPERATING PROCEDURES ..... 7

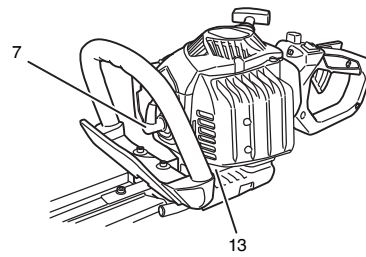
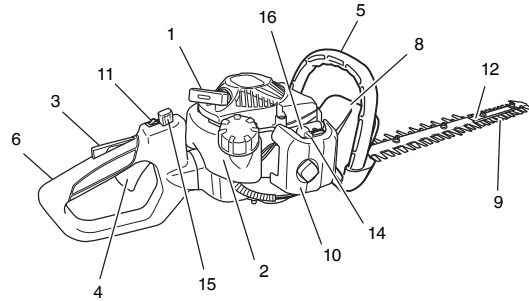
MAINTENANCE ..... 8

TROUBLESHOOTING ..... 9

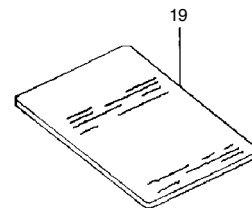
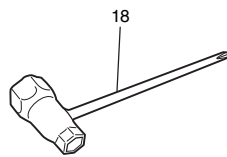
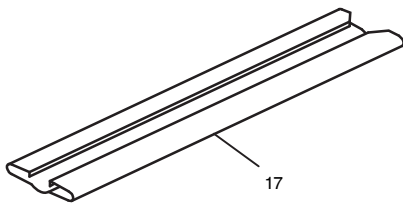
### WHAT IS WHAT?

Since this manual covers several models, there may be some difference between these illustrations and your unit. Use the instructions that apply to your unit.

1. Recoil starter
2. Fuel tank
3. Throttle lever lockout
4. Throttle lever
5. Front handle
6. Rear handle
7. Spark plug
8. Hand guard
9. Cutting blade
10. Air cleaner
11. Stop switch
12. Blade guide
13. Gear case
14. Choke lever
15. Lock lever
16. Priming pump
17. Blade case
18. Combi box spanner
19. Handling instructions



CH 22EAP2 (50ST), CH 22EA2 (50ST)  
CH 22EBP2 (62ST), CH 22EB2 (62ST)  
CH 22ECP2 (62ST), CH 22EC2 (62ST)  
CH 22ECP2 (78ST), CH 22EC2 (78ST)



## WARNINGS AND SAFETY INSTRUCTIONS

### Keep for future reference.

THIS HEDGE TRIMMER CAN CAUSE SERIOUS INJURIES. Read the instructions carefully for the correct handling, preparation, maintenance, starting and stopping of the hedge trimmer. Become familiar with all controls and the proper use of the hedge trimmer.

### Operator safety

- Always wear a safety face shield or goggles.
- Always wear heavy, long pants, boots and gloves. Do not wear loose clothing, jewelry, short pants, sandals or go barefoot. Secure hair so it is above shoulder length.
- Do not operate this tool when you are tired, ill or under the influence of alcohol, drugs or medication.
- Never let a child or inexperienced person operate the machine.
- Beware of overhead power lines.
- Wear hearing protection.
- Never start or run the engine inside a closed room or building. Breathing exhaust fumes can kill.
- Keep handles free of oil and fuel.
- Keep hands away from cutting equipment.
- Do not grab or hold the unit by the cutting equipment.
- When the unit is turned off, make sure the cutting attachment has stopped before the unit is set down.
- When operation is prolonged, take a break from time to time so that you may avoid possible Hand-Arm Vibration Syndrome (HAVS) which is caused by vibration.
- If the cutting mechanism strikes any foreign object or the hedge trimmer starts making any unusual noise or vibration, shut off the power source and allow the hedge trimmer to stop. Disconnect the spark plug wire from the spark plug and take the following steps:
  - Inspect for damage;
  - Check for, and tighten, any loose parts;
  - Have any damaged parts replaced or repaired with parts having equivalent specifications.

### ⚠ WARNING

- Antivibration systems do not guarantee that you will not sustain Hand-Arm Vibration Syndrome or carpal tunnel syndrome. Therefore, continual and regular users should monitor closely the condition of their hands and fingers. If any symptoms of the above appear, seek medical advice immediately.
- If you are using any medical electric/electronic devices such as a pacemaker, consult your physician as well as the device manufacturer prior to operating any power equipment.
- When a foreign object is caught in the blade, turn off the engine, and remove the foreign object carefully using a plier etc., after the hedge trimmer has been cooled down. Be careful when removing the foreign object, since the blade may move because of the backlash.

### Unit/machine safety

- Inspect the entire unit/machine before each use. Replace damaged parts. Check for fuel leaks and make sure all fasteners are in place and securely tightened.
- Replace parts that are cracked, chipped or damaged in any way before using the unit/machine.
- Keep others away when making carburetor adjustments.
- Use only accessories as recommended for this unit/machine by the manufacturer.

### ⚠ WARNING

Never modify the unit/machine in any way. Do not use your unit/machine for any job except that for which it is intended.

### Fuel safety

- Mix and pour fuel outdoors and where there are no sparks or flames.
- Use a container approved for fuel.
- Never remove the fuel cap or add fuel with the power source running. Allow engine and exhaust components to cool down before refuelling.
- Do not smoke or allow smoking near fuel or the unit/machine or while using the unit/machine.
- Never refuel indoors.
- Wipe up all fuel spills before starting engine.

- Move at least 3 m away from fueling site before starting engine.
- Stop engine before removing fuel cap.
- Empty the fuel tank before storing the unit/machine. It is recommended that the fuel be emptied after each use. If fuel is left in the tank, store so fuel will not leak.
- Store unit/machine and fuel in area where fuel vapors cannot reach sparks or open flames from water heaters, electric motors or switches, furnaces, etc.

### ⚠ WARNING

Fuel is easy to ignite or get explosion or inhale fumes, so that pay special attention when handling or filling fuel.

### Cutting safety

- Do not cut any material other than plant hedge.
- Inspect the area to be cut before each use. Remove objects which can be thrown or become entangled.
- For respiratory protection, wear an aerosol protection mask when cutting the grass after insecticide is scattered.
- Keep others including children, animals, bystanders and helpers outside the 15 m hazard zone. Stop the engine immediately if you are approached.
- Hold the unit/machine firmly with both hands.
- Keep firm footing and balance. Do not over-reach.
- Keep all parts of your body away from the muffler and cutting attachment when the engine is running.
- Keep cutting tool below shoulder level. NEVER operate unit from a ladder, while in a tree or from any unstable support.
- When relocating to a new work area, be sure to shut off the machine and ensure that all cutting attachments are stopped.
- Never place the machine on the ground when running.
- Always carry a first-aid kit when operating any power equipment.
- Never start or run the engine inside a closed room or building and/or near the inflammable liquid. Breathing exhaust fumes can kill.

### Maintenance safety

- Maintain the unit/machine according to recommended procedures.
- Disconnect the spark plug before performing maintenance except for carburetor adjustments.
- Keep others away when making carburetor adjustments.
- Use only genuine Hitachi replacement parts as recommended by the manufacturer.
- When the hedge trimmer is stopped for servicing, inspection or storage, shut off the power source, disconnect the spark plug wire from the spark plug and make sure all moving parts have come to a stop. Allow the hedge trimmer to cool before making any inspection, adjustments, etc.

### Transport and storage

- Carry the unit/machine by hand with the engine stopped and the muffler away from your body.
- Allow the engine to cool, empty the fuel tank, and secure the unit/machine before storing or transporting in a vehicle.
- Empty the fuel tank before storing the unit/machine. It is recommended that the fuel be emptied after each use. If fuel is left in the tank, store so fuel will not leak.
- Store unit/machine out of the reach of children.
- Clean and maintenance the unit carefully and store it in a dry place.
- Make sure engine switch is off when transporting or storing.
- When transporting in a vehicle or storage, cover blade with blade cover.

If situations occur which are not covered in this manual, take care and use common sense. Contact your Hitachi dealer if you need assistance. Pay special attention to statements preceded by the following words:

### ⚠ WARNING

Indicates a strong possibility of severe personal injury or loss of life, if instructions are not followed.

### CAUTION

Indicates a possibility of personal injury or equipment damage, if instructions are not followed.

**NOTE**

Helpful information for correct function and use.

**CAUTION**

Do not disassemble the recoil starter. you may get a possibility of personal injury with recoil spring.

**SPECIFICATIONS**

| MODEL                                                                | CH22EAP2 (50ST)<br>CH22EA2 (50ST)                                  | CH22EBP2 (62ST)<br>CH22EB2 (62ST) | CH22ECP2 (62ST)<br>CH22EC2 (62ST) | CH22ECP2 (78ST)<br>CH22EC2 (78ST) |
|----------------------------------------------------------------------|--------------------------------------------------------------------|-----------------------------------|-----------------------------------|-----------------------------------|
| Engine Size (ml)                                                     | 21.1                                                               |                                   |                                   |                                   |
| Spark Plug                                                           | NGK BMR 7A (Europe and Australia) or Champion CJ 6 (other regions) |                                   |                                   |                                   |
| Fuel Tank Capacity (l)                                               | 0.30                                                               |                                   |                                   |                                   |
| Dry Weight (kg)                                                      | 4.3                                                                | 4.7                               | 5.0                               | 5.2                               |
| Overall blade length (mm)                                            | 500                                                                | 620                               | 620                               | 780                               |
| Blade type                                                           | Double-sided                                                       |                                   |                                   |                                   |
| Sound pressure level<br>LpA (dB(A)) (ISO 10517)                      | 97                                                                 |                                   |                                   |                                   |
| Sound power level<br>Lw measured (dB (A))<br>(2000/14/EC, ISO 10517) | 102                                                                |                                   |                                   |                                   |
| LwA (dB (A))                                                         | 104                                                                |                                   |                                   |                                   |
| Vibration level (m/s <sup>2</sup> ) (ISO 10517)                      |                                                                    |                                   |                                   |                                   |
| Front handle                                                         | 7.0                                                                | 9.1                               | 2.8                               | 2.8                               |
| Rear handle                                                          | 7.5                                                                | 9.1                               | 3.4                               | 2.8                               |

**NOTE**

Equivalent noise level/vibration level are calculated as the time-weighted energy total for noise/vibration levels under various working conditions with the following time distribution : ISO 10517.....1/5 idle, 4/5 racing. 2000/14/EC.....only racing.

\* All data subject to change without notice.

**OPERATING PROCEDURES****Fuel (Fig. 1)****⚠ WARNING**

The hedge trimmer is equipped with a two- stroke engine. Always run the engine on fuel, mixed with oil. Provide good ventilation, when fueling or handling fuel.

**Fuel**

- Always use branded 89 octane unleaded gasoline.
- Use genuine two-cycle oil or use a mix between 25:1 to 50:1, please consult the oil bottle for the ratio or Hitachi dealer.
- If genuine oil is not available, use an anti-oxidant added quality oil expressly labeled for air-cooled 2-cycle engine use (JASO FC GRADE OIL or ISO EGC GRADE). Do not use BIA or TCW (2-stroke water-cooling type) mixed oil.
- Never use multi-grade oil (10W/30) or waste oil.
- Always mix fuel and oil in a separate clean container.

Always start by filling half the amount of fuel, which is to be used. Then add the whole amount of oil. Mix (shake) the fuel mixture. Add the remaining amount of fuel.

Mix (shake) the fuel-mix thoroughly before filling the fuel tank.

**Fueling****⚠ WARNING (Fig. 2)**

- Always shut off the engine before refueling.
- Slowly open the fuel tank (1), when filling up with fuel, so that possible over-pressure disappears.
- Tighten the fuel cap carefully, after fueling.
- Always move the unit at least 3 m from the fueling area before starting.

Before fueling, clean the tank cap area carefully, to ensure that no dirt falls into the tank. Make sure that the fuel is well mixed by shaking the container, before fueling.

**Starting****CAUTION**

Before starting, make sure the cutting attachment does not touch anything.

1. Set stop switch (2) to ON position (A). (Fig. 3)

\* Push priming pump (4) several times so that fuel flows through the pump or return pipe. (Fig. 4)

2. Set choke lever (5) to CLOSED position (B). (Fig. 5)
3. Pull recoil starter briskly, taking care to keep the handle in your grasp and not allowing it to snap back. (Fig. 6)
4. When you hear the engine attempts to start, return choke lever to RUN position (open) (C). Then pull recoil starter briskly again.

**NOTE**

If engine does not start, repeat procedures from 2 to 4.

5. After starting engine, allow the engine about 2-3 minutes to warm up before subjecting it to any load.

**Cutting**

When cutting, operate engine at full throttle as this maintains proper blade speed. When trimming top of hedge, hold trimmer so blades are between 15 and 30 degrees from a horizontal position and swing trimmer in an arc toward edge of hedge to sweep cuttings off. When trimming sides of hedge, hold blade vertically and swing unit in an arc.

**NOTE**

- **Multi-position twist handle (Fig. 7)**

The rear control handle turns 90 degrees to provide comfortable use while accommodating a variety of cutting angles. The handle allows for five different locking positions. Before attempting to adjust rear handle, make sure the machine is at idle or engine is shut off.

- The throttle lever cannot be engaged if the handle is not secured (the lock lever is pressed). To rotate the handle; push the lock lever (6) allowing the handle to turn. Rotate the handle to the desired 0°, 45° or 90° locking position and release the lock lever (6) to lock the handle in place.  
D: LOCK  
E: UNLOCK

**Stopping (Fig. 8)**

Decrease engine speed, and push stop switch to stop position (F).

**NOTE**

If the engine does not stop, it can be forced to stop by rotating the choke lever to the choked position.

Before restarting the engine, ask Hitachi Authorized Service Centers for repairs.

## MAINTENANCE

MAINTENANCE, REPLACEMENT OR REPAIR OF THE EMISSION CONTROL DEVICES AND SYSTEM MAY BE PERFORMED BY ANY NONROAD ENGINE REPAIR ESTABLISHMENT OR INDIVIDUAL.

### Carburetor adjustment (Fig. 9)

#### ⚠ WARNING

- The cutting attachment may be spinning during carburetor adjustments.
- Never start the engine without the complete cleaner cover. Otherwise the clutch can come loose and cause personal injuries.

In the carburetor, fuel is mixed with air. When the engine is test run at the factory, the carburetor is adjusted. A further adjustment may be required, according to climate and altitude. The carburetor has one adjustment possibility:

**T = Idle speed adjustment screw.**

### Idle speed adjustment (T)

Check that the air filter is clean. When the idle speed is correct, the cutting attachment will not rotate. If adjustment is required, close (clockwise) the T-screw, with the engine running, until the cutting attachment starts to rotate. Open (counter-clockwise) the screw until the cutting attachment stops. You have reached the correct idle speed when the engine runs smoothly in all positions well below the rpm when the cutting attachment starts to rotate.

If the cutting attachment still rotates after idle speed adjustment, contact Hitachi dealer.

### Air filter (Fig. 10)

The air filter must be cleaned from dust and dirt in order to avoid:

- Carburetor malfunctions.
- Starting problems.
- Engine power reduction.
- Unnecessary wear on the engine parts.
- Abnormal fuel consumption.

Clean the air filter daily or more often if working in exceptionally dusty areas.

### Cleaning the air filter

Remove the cleaner cover and the filter. Rinse it in warm soap suds. Check that the filter is dry before reassembly. An air filter that has been used for some time cannot be cleaned completely. Therefore, it must regularly be replaced by a new one. A damaged filter must always be replaced.

#### NOTE

Saturate the element in 2-cycle oil or the equivalent. Squeeze the element to distribute the oil completely and to remove any excess oil.

### Spark plug (Fig. 11)

The spark plug condition is influenced by:

- An incorrect carburetor setting.
- Wrong fuel mixture (too much oil in the gasoline).
- A dirty air filter.
- Hard running conditions (such as cold weather).

These factors cause deposits on the spark plug electrodes, which may result in malfunction and starting difficulties. If the engine is low on power, difficult to start or runs poorly at idling speed, always check the spark plug first. If the spark plug is dirty, clean it and check the electrode gap. Readjust if necessary. The correct gap is 0.6 mm. The spark plug should be replaced after about 100 operation hours or earlier if the electrodes are badly eroded.

#### NOTE

In some areas, local law requires using a resistor spark plug to suppress ignition signals. If this machine was originally equipped with resistor spark plug, use the same type of spark plug for replacement.

### Lubricating the blade (Fig.12)

During trimming, sap adhering to the blade edge will increase load. Use machine oil (or bicycle oil or the like) to lubricate the blade and wipe the blade with a cloth. To prevent the blade from rusting, be sure to lubricate the blade after use and when it will not be used for an extended period of time before placing it in the blade case.

### Gear case (Fig. 13)

Apply a good quality lithium based grease through the grease fitting until a small amount comes out between the cutting blades and the gear case. Lubricate the grease from the grease nipple (indicated by an arrow) next to the gear case using a commercially available cartridge grease gun.

#### NOTE

Lubrication should be applied 3g at 20 hour intervals and more frequently with heavy use.

### Fuel filter (Fig. 14)

Remove the fuel filter from the fuel tank and thoroughly wash it in solvent. After that, push the filter into the tank completely.

#### NOTE

If the filter is hard due to dust and dirt, replace it.

### Cleaning the cylinder fins (Fig. 15)

When leaves get caught between cylinder fins (7), the engine may overheat, resulting in lower output. To avoid this, always keep cylinder fins and cylinder cover clean.

Every 100 operating hours, or once a year (more often if conditions require), clean fins and external surfaces of engine of dust, dirt and oil deposits which can contribute to improper cooling.

### Cleaning the muffler (Fig. 16)

Remove the muffler and spark arrester (if so equipped), and clean out any excess carbon from the exhaust port or muffler inlet every 100 hours of operation.

### For long-term storage

Drain all fuel from the fuel tank. Start and let engine run until it stops. Repair any damage which has resulted from use. Clean the unit with a clean rag, or high pressure air hose. Put a few drops of two-cycle engine oil into the cylinder through the spark plug hole, and spin the engine over several times to distribute oil. Cover the unit and store it in a dry area.

### Maintenance schedule

Below you will find some general maintenance instructions. For further information please contact your Hitachi dealer.

#### Daily maintenance

- Clean the exterior of the hedge trimmer.
- Check the blade guide for damage or cracks. Change the guard in case of impacts or cracks.
- Check that the blade is sharp, and without cracks.
- Check that the blade nut is sufficiently tightened.
- Make sure that the blade blunt guard is undamaged and that it can be securely fitted.
- Check that nuts and screws are sufficiently tightened.

#### Weekly maintenance

- Check the starter, especially cord and return spring.
- Clean the exterior of the spark plug.
- Remove it and check the electrode gap. Adjust it to 0.6 mm, or change the spark plug.
- Clean the cooling fins on the cylinder and check that the air intake at the starter is not clogged.
- Check gear case is filled with grease.
- Clean the air filter.

#### Monthly maintenance

- Rinse the fuel tank with gasoline.
- Clean the exterior of the carburetor and the space around it.
- Clean the fan and the space around it.

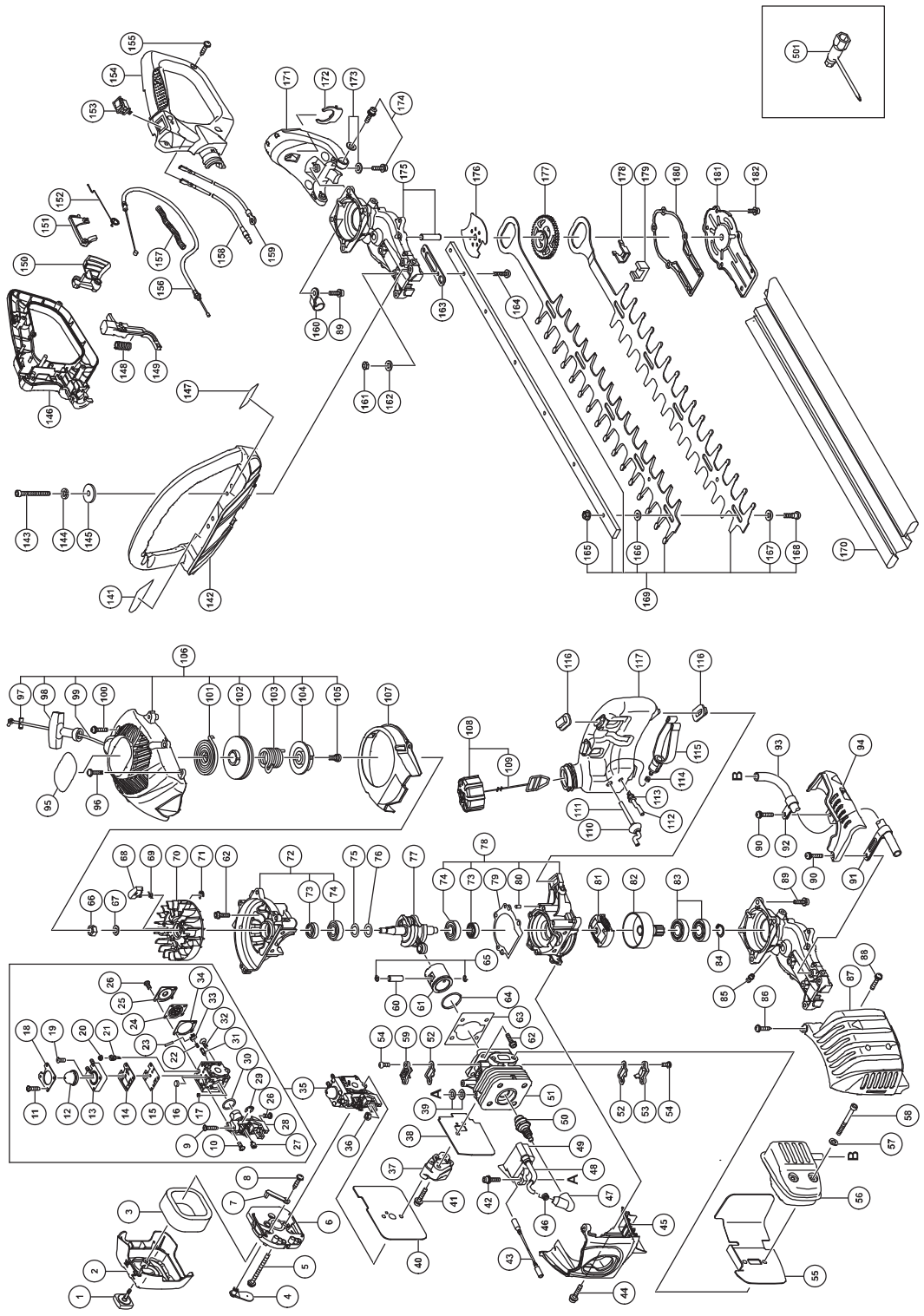


**TROUBLESHOOTING**

Use the inspections in the table below if the tool does not operate normally. If this does not remedy the problem, consult your dealer or the Hitachi Authorized Service Center.

|      | Symptom                      | Possible cause                                                                                                                                                                                                | Remedy                                                                                                                                                                                                                                                                                                                                                                             |
|------|------------------------------|---------------------------------------------------------------------------------------------------------------------------------------------------------------------------------------------------------------|------------------------------------------------------------------------------------------------------------------------------------------------------------------------------------------------------------------------------------------------------------------------------------------------------------------------------------------------------------------------------------|
| Tool | Does not operate.            | Foreign matter is lodged in the blade.                                                                                                                                                                        | When there is foreign matter in the blade, use a pair of tongs or similar tool to remove it. Take great care since the tool may start operating when the foreign matter has been removed.<br>Sap or rust may also prevent the blade from operating. Use a wire brush or similar tool to remove sap or rust.                                                                        |
|      | The tool does not trim well. | The blade stopped because it was used to cut a branch whose width exceeded the blade's cutting capacity.<br><b>NOTE</b><br>Work that will repeatedly cause the blade to stop will eventually damage the tool. | Some garden trees have wood that is very hard and may be beyond the capacity of the tool even if it is of a width that is within normal capacity. Use a pair of pruning shear to remove thick branches before starting work.<br><br>An oblique cut may also exceed the capacity of the tool since the length of the cut increases. Be sure to trim thick branches at right angles. |

CH22EA2 (50ST)



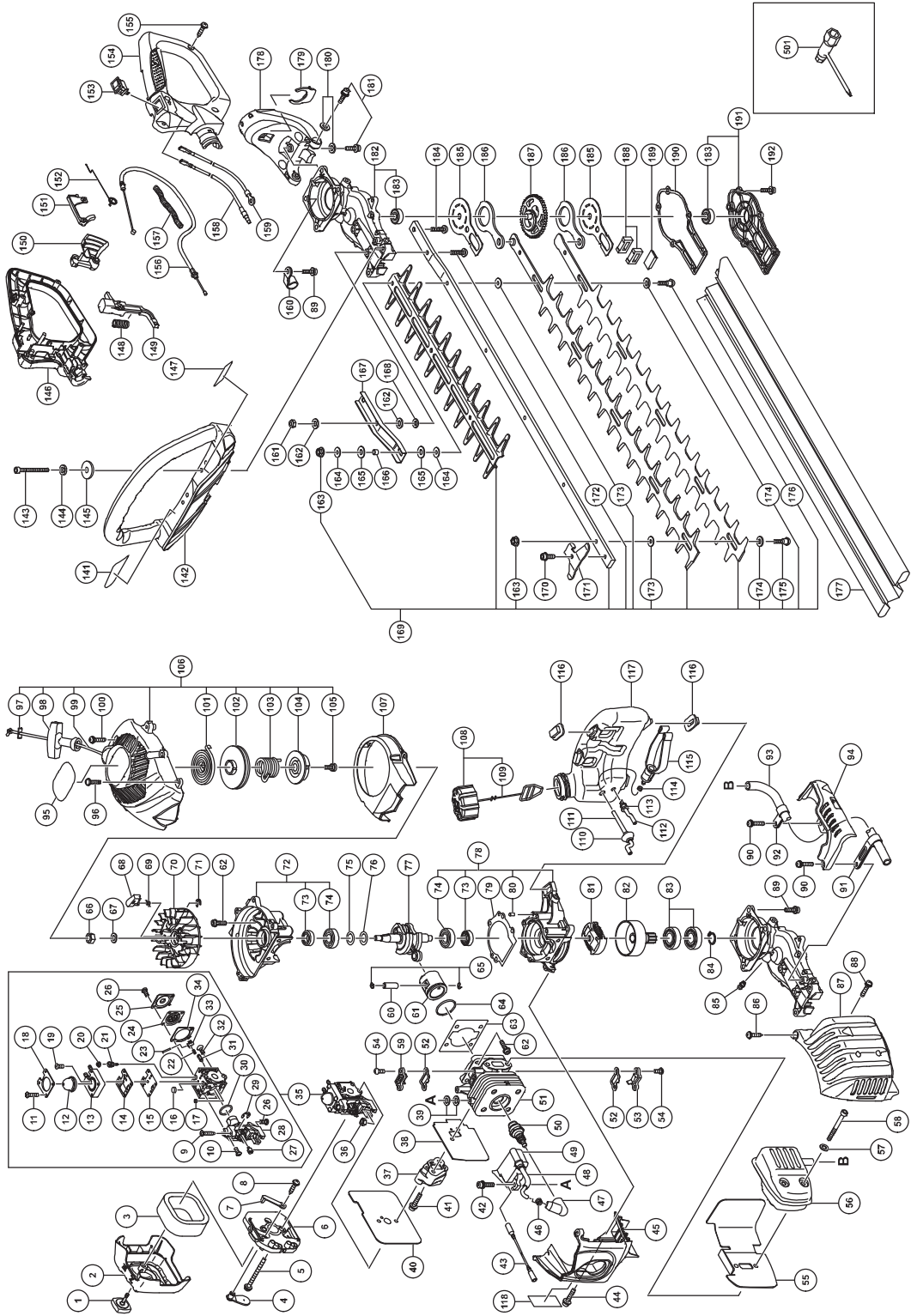
CH22EA2 (50ST)

| Item No. | Part Name                                   | QTY |
|----------|---------------------------------------------|-----|
| 1        | COVER FIXING BOLT COMP.                     | 1   |
| 2        | CLEANER COVER                               | 1   |
| 3        | CLEANER SPONGE                              | 1   |
| 4        | CHOKE VALVE                                 | 1   |
| 5        | MACHINE SCREW (W/WASHERS) M5x60             | 2   |
| 6        | CLEANER BODY                                | 1   |
| 7        | CHOKE HANDLE                                | 1   |
| 8        | TAPPING SCREW (W/FLANGE) D4x12              | 1   |
| 9        | THROTTLE ADJUST SCREW (TAS)                 | 1   |
| 10       | SET SCREW (B)                               | 3   |
| 11       | SET SCREW (D)                               | 4   |
| 12       | SYRINGE                                     | 1   |
| 13       | PRIMER BASE                                 | 1   |
| 14       | PUMP GASKET                                 | 1   |
| 15       | PUMP DIAPHRAGM                              | 1   |
| 16       | STRAINER                                    | 1   |
| 17       | GUIDE PIN ROLLER                            | 1   |
| 18       | SYRINGE RETAINER                            | 1   |
| 19       | SET SCREW (E)                               | 1   |
| 20       | BALL PLUG RETAINER                          | 1   |
| 21       | ADJUSTING SCREW (MAIN MIXTURE)              | 1   |
| 22       | METERING LEVER SPRING                       | 1   |
| 23       | PIN                                         | 1   |
| 24       | METERING DIAPHRAGM                          | 1   |
| 25       | METERING COVER                              | 1   |
| 26       | SET SCREW (C)                               | 3   |
| 27       | POST                                        | 1   |
| 28       | ROTOR COVER                                 | 1   |
| 29       | RETAINING RING (E-TYPE) FOR D2.5 SHAFT      | 1   |
| 30       | O-RING                                      | 1   |
| 31       | INLET NEEDLE VALVE                          | 1   |
| 32       | SET SCREW (A)                               | 1   |
| 33       | METERING LEVER                              | 1   |
| 34       | METERING GASKET                             | 1   |
| 35       | CARBURETOR ASS'Y (INCLUD.9-34)              | 1   |
| 36       | LOCK NUT M6                                 | 1   |
| 37       | CARBURETOR INSULATOR                        | 1   |
| 38       | INTAKE PACKING                              | 1   |
| 39       | GLASS WASHER                                | 4   |
| 40       | CARBURETOR PACKING                          | 1   |
| 41       | SEAL LOCK HEX. SOCKET BOLT (W/WASHERS)M5x25 | 2   |
| 42       | HEX. SOCKET HD. BOLT (W/WASHERS) M4x18      | 2   |
| 43       | CORD                                        | 1   |
| 44       | SEAL LOCK HEX. SOCKET HD. BOLT M4x12        | 1   |
| 45       | CYLINDER COVER                              | 1   |
| 46       | METAL OF PLUG CAP (60) (B)                  | 1   |
| 47       | PLUG CAP                                    | 1   |
| 48       | CORD INSULATION TUBE                        | 1   |
| 49       | IGNITION COIL                               | 1   |
| 50       | SPARK PLUG                                  | 1   |
| 51       | CYLINDER                                    | 1   |
| 52       | COVER PACKING                               | 2   |
| 53       | INTAKE COVER (A)                            | 1   |
| 54       | SEAL LOCK SCREW M4x10                       | 4   |
| 55       | HEAT PROTECTION PANEL                       | 1   |
| 56       | MUFFLER                                     | 1   |
| 57       | BOLT WASHER M6                              | 2   |
| 58       | HEX. SOCKET HD. BOLT M6x55                  | 2   |

| Item No. | Part Name                                   | QTY |
|----------|---------------------------------------------|-----|
| 59       | INTAKE COVER (B)                            | 1   |
| 60       | PISTON PIN                                  | 1   |
| 61       | PISTON                                      | 1   |
| 62       | HEX. SOCKET HD. BOLT (W/SP.WASHER) M5x18    | 8   |
| 63       | CYLINDER PACKING                            | 1   |
| 64       | PISTON RING                                 | 1   |
| 65       | CIR CLIP                                    | 2   |
| 66       | FLYWHEEL NUT M7                             | 1   |
| 67       | BOLT WASHER D7                              | 1   |
| 68       | STARTER PAWL                                | 2   |
| 69       | STARTER PAWL SPRING                         | 2   |
| 70       | MAGNETO ROTOR                               | 1   |
| 71       | RETAINING RING D4                           | 2   |
| 72       | CRANK CASE (B) ASS'Y (INCLUD.73,74)         | 1   |
| 73       | OIL SEAL TB 12227                           | 2   |
| 74       | BALL BEARING 6001C3                         | 2   |
| 75       | SHIM T0.2                                   | 1   |
| 76       | SHIM T0.3                                   | 1   |
| 77       | CRANK SHAFT                                 | 1   |
| 78       | CRANK CASE (A) ASS'Y (INCLUD.73,74,80)      | 1   |
| 79       | CRANK CASE PACKING                          | 1   |
| 80       | KNOCK PIN 4x12                              | 2   |
| 81       | CLUTCH ASS'Y (B)                            | 1   |
| 82       | CLUTCH DRUM                                 | 1   |
| 83       | BALL BEARING 6002ZC3                        | 2   |
| 84       | RETAINING RING FOR D15 SHAFT                | 1   |
| 85       | GREASE NIPPLE COMP.                         | 1   |
| 86       | TAPPING SCREW (W/FLANGE) D5X20              | 1   |
| 87       | MUFFLER PROTECTOR                           | 1   |
| 88       | MACHINE SCREW (W/SP.WASHERS) M5x16          | 1   |
| 89       | HEX. HOLE BOLT 6x18/S                       | 4   |
| 90       | HEX. SOCKET HD. BOLT (W/BUTTON) M5x20       | 2   |
| 91       | FIXATION PLATE (A)                          | 1   |
| 92       | FIXATION PLATE (B)                          | 1   |
| 93       | TAIL PIPE (A)                               | 1   |
| 94       | EXHAUST COVER                               | 1   |
| 95       | HITACHI LABEL                               | 1   |
| 96       | TAPPING SCREW D4.5x16                       | 1   |
| 97       | PLATE                                       | 1   |
| 98       | STARTER KNOB                                | 1   |
| 99       | STARTER ROPE                                | 1   |
| 100      | HEX. SOCKET HD. BOLT (W/BUTTON) M5x20       | 3   |
| 101      | RECOIL SPRING                               | 1   |
| 102      | STARTER ROPE REEL                           | 1   |
| 103      | DAMPER SPRING                               | 1   |
| 104      | CAM PLATE                                   | 1   |
| 105      | SET SCREW                                   | 1   |
| 106      | RECOIL STARTER ASS'Y (INCLUD.97-99,101-105) | 1   |
| 107      | AIR DEFLECTOR                               | 1   |
| 108      | FUEL TANK CAP ASS'Y (INCLUD.109)            | 1   |
| 109      | TANK CAP CHAIN                              | 1   |
| 110      | FUEL GROMMET                                | 1   |
| 111      | FUEL PIPE                                   | 1   |
| 112      | FUEL PIPE (PINK)                            | 1   |
| 113      | RETURN GROMMET                              | 1   |
| 114      | CLIP                                        | 1   |
| 115      | PUMP FILTER                                 | 1   |

| Item No. | Part Name                                    | QTY |
|----------|----------------------------------------------|-----|
| 116      | CUSHION RUBBER                               | 4   |
| 117      | TANK                                         | 1   |
| 141      | NAME PLATE                                   | 1   |
| 142      | HANDLE                                       | 1   |
| 143      | SEAL LOCK HEX. SOCKET HD. BOLT M5x40         | 2   |
| 144      | SPRING WASHER M5                             | 2   |
| 145      | BRAKE AXIS WASHER                            | 2   |
| 146      | HANDLE A                                     | 1   |
| 147      | CAUTION LABEL                                | 1   |
| 148      | SPRING (A)                                   | 1   |
| 149      | LOCK LEVER                                   | 1   |
| 150      | THROTTLE LEVER                               | 1   |
| 151      | TRIGGER LOCKOUT                              | 1   |
| 152      | THROTTLE LEVER SPRING                        | 1   |
| 153      | STOP SWITCH                                  | 1   |
| 154      | HANDLE B                                     | 1   |
| 155      | TAPPING SCREW (W/FLANGE) D4x16               | 4   |
| 156      | THROTTLE WIRE                                | 1   |
| 157      | PROTECTION TUBE                              | 1   |
| 158      | STOP SWITCH CORD                             | 1   |
| 159      | STOP SWITCH CORD (B)                         | 1   |
| 160      | FIXATION PLATE (B)                           | 1   |
| 161      | NYLON NUT M5                                 | 2   |
| 162      | SMALL WASHER 5                               | 2   |
| 163      | SPACER                                       | 1   |
| 164      | HEX. SOCKET HD. BOLT (W/BUTTON) M5x25        | 2   |
| 165      | U-NUT M5                                     | 5   |
| 166      | WASHER (B)                                   | 5   |
| 167      | WASHER M7                                    | 5   |
| 168      | SHOULDER BUTTON BOLT M5x25                   | 5   |
| 169      | BLADE ASS'Y (INCLUD.164-168)                 | 1   |
| 170      | BLADE CASE (A)                               | 1   |
| 171      | HANDLE BRACKET                               | 1   |
| 172      | CLIP                                         | 1   |
| 173      | BOLT WASHER D5                               | 3   |
| 174      | SEAL LOCK HEX. SOCKET BOLT (W/WASHERS) M5x16 | 3   |
| 175      | GEAR CASE (A) ASS'Y (INCLUD.176)             | 1   |
| 176      | GUIDE PLATE (C)                              | 1   |
| 177      | GEAR 2                                       | 1   |
| 178      | GUIDE PLATE (A)                              | 1   |
| 179      | FELT PACKING (A)                             | 1   |
| 180      | GEAR CASE PACKING                            | 1   |
| 181      | GEAR CASE COVER                              | 1   |
| 182      | HEX. SOCKET HD. BOLT (W/SP.WASHER) M5x12     | 6   |
| 501      | BOX WRENCH 10/19MM                           | 1   |

CH22EBP2 (62ST)



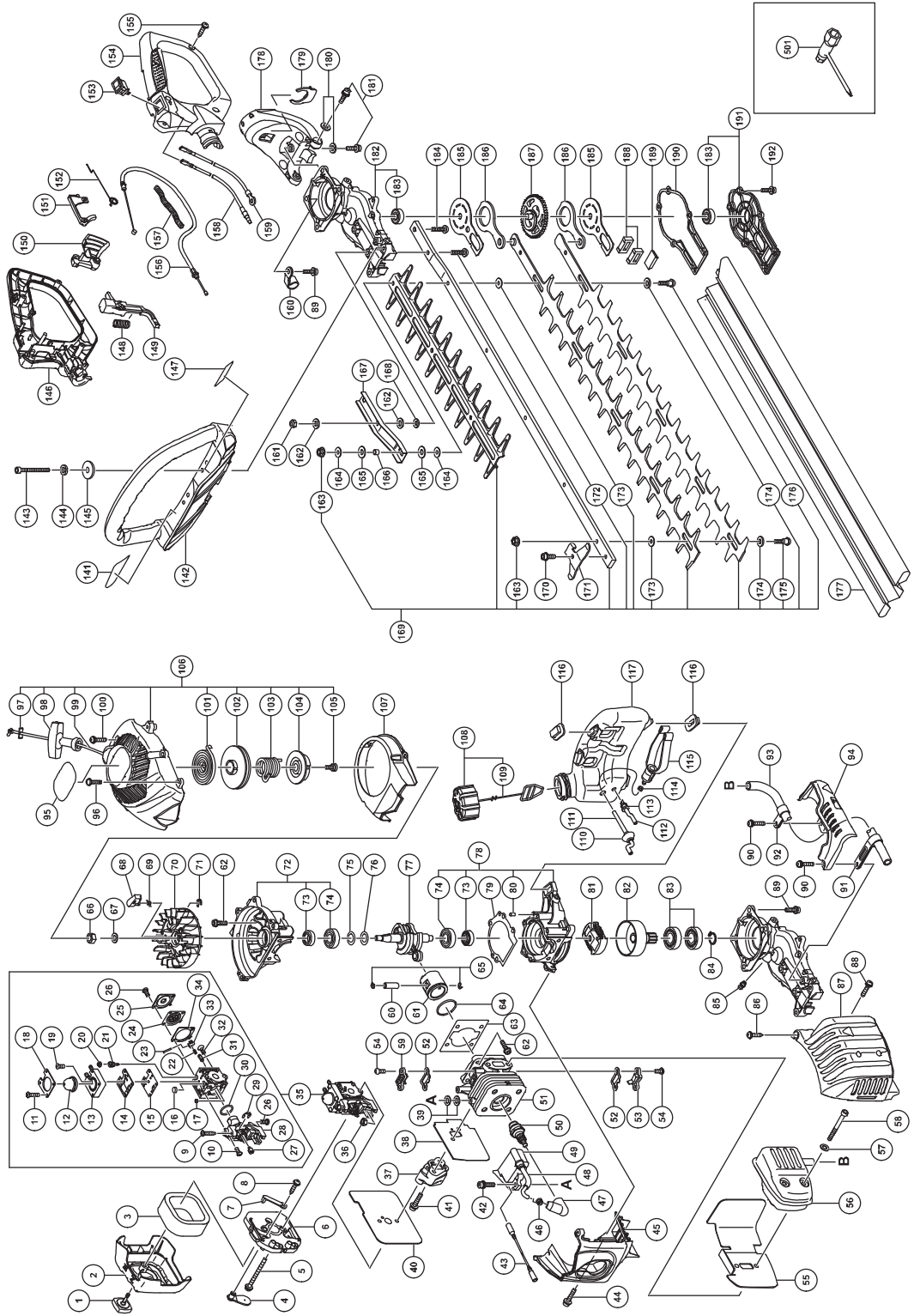
CH22EBP2 (62ST)

| Item No. | Part Name                                   | QTY |
|----------|---------------------------------------------|-----|
| 1        | COVER FIXING BOLT COMP.                     | 1   |
| 2        | CLEANER COVER                               | 1   |
| 3        | CLEANER SPONGE                              | 1   |
| 4        | CHOKE VALVE                                 | 1   |
| 5        | MACHINE SCREW (W/WASHERS) M5x60             | 2   |
| 6        | CLEANER BODY                                | 1   |
| 7        | CHOKE HANDLE                                | 1   |
| 8        | TAPPING SCREW (W/FLANGE) D4x12              | 1   |
| 9        | THROTTLE ADJUST SCREW (TAS)                 | 1   |
| 10       | SET SCREW (B)                               | 3   |
| 11       | SET SCREW (D)                               | 4   |
| 12       | SYRINGE                                     | 1   |
| 13       | PRIMER BASE                                 | 1   |
| 14       | PUMP GASKET                                 | 1   |
| 15       | PUMP DIAPHRAGM                              | 1   |
| 16       | STRAINER                                    | 1   |
| 17       | GUIDE PIN ROLLER                            | 1   |
| 18       | SYRINGE RETAINER                            | 1   |
| 19       | SET SCREW (E)                               | 1   |
| 20       | BALL PLUG RETAINER                          | 1   |
| 21       | ADJUSTING SCREW (MAIN MIXTURE)              | 1   |
| 22       | METERING LEVER SPRING                       | 1   |
| 23       | PIN                                         | 1   |
| 24       | METERING DIAPHRAGM                          | 1   |
| 25       | METERING COVER                              | 1   |
| 26       | SET SCREW (C)                               | 3   |
| 27       | POST                                        | 1   |
| 28       | ROTOR COVER                                 | 1   |
| 29       | RETAINING RING (E-TYPE) FOR D2.5 SHAFT      | 1   |
| 30       | O-RING                                      | 1   |
| 31       | INLET NEEDLE VALVE                          | 1   |
| 32       | SET SCREW (A)                               | 1   |
| 33       | METERING LEVER                              | 1   |
| 34       | METERING GASKET                             | 1   |
| 35       | CARBURETOR ASS'Y (INCLUD.9-34)              | 1   |
| 36       | LOCK NUT M6                                 | 1   |
| 37       | CARBURETOR INSULATOR                        | 1   |
| 38       | INTAKE PACKING                              | 1   |
| 39       | GLASS WASHER                                | 4   |
| 40       | CARBURETOR PACKING                          | 1   |
| 41       | SEAL LOCK HEX. SOCKET BOLT (W/WASHERS)M5x25 | 2   |
| 42       | HEX. SOCKET HD. BOLT (W/WASHERS) M4x18      | 2   |
| 43       | CORD                                        | 1   |
| 44       | SEAL LOCK HEX. SOCKET HD. BOLT M4x12        | 1   |
| 45       | CYLINDER COVER                              | 1   |
| 46       | METAL OF PLUG CAP (60) (B)                  | 1   |
| 47       | PLUG CAP                                    | 1   |
| 48       | CORD INSULATION TUBE                        | 1   |
| 49       | IGNITION COIL                               | 1   |
| 50       | SPARK PLUG                                  | 1   |
| 51       | CYLINDER                                    | 1   |
| 52       | COVER PACKING                               | 2   |
| 53       | INTAKE COVER (A)                            | 1   |
| 54       | SEAL LOCK SCREW M4x10                       | 4   |
| 55       | HEAT PROTECTION PANEL                       | 1   |
| 56       | MUFFLER                                     | 1   |
| 57       | BOLT WASHER M6                              | 2   |
| 58       | HEX. SOCKET HD. BOLT M6x55                  | 2   |
| 59       | INTAKE COVER (B)                            | 1   |

| Item No. | Part Name                                   | QTY |
|----------|---------------------------------------------|-----|
| 60       | PISTON PIN                                  | 1   |
| 61       | PISTON                                      | 1   |
| 62       | HEX. SOCKET HD. BOLT (W/SP.WASHER) M5x18    | 8   |
| 63       | CYLINDER PACKING                            | 1   |
| 64       | PISTON RING                                 | 1   |
| 65       | CIR CLIP                                    | 2   |
| 66       | FLYWHEEL NUT M7                             | 1   |
| 67       | BOLT WASHER D7                              | 1   |
| 68       | STARTER PAWL                                | 2   |
| 69       | STARTER PAWL SPRING                         | 2   |
| 70       | MAGNETO ROTOR                               | 1   |
| 71       | RETAINING RING D4                           | 2   |
| 72       | CRANK CASE (B) ASS'Y (INCLUD.73,74)         | 1   |
| 73       | OIL SEAL TB 12227                           | 2   |
| 74       | BALL BEARING 6001C3                         | 2   |
| 75       | SHIM T0.2                                   | 1   |
| 76       | SHIM T0.3                                   | 1   |
| 77       | CRANK SHAFT                                 | 1   |
| 78       | CRANK CASE (A) ASS'Y (INCLUD.73,74,80)      | 1   |
| 79       | CRANK CASE PACKING                          | 1   |
| 80       | KNOCK PIN 4x12                              | 2   |
| 81       | CLUTCH ASS'Y (B)                            | 1   |
| 82       | CLUTCH DRUM                                 | 1   |
| 83       | BALL BEARING 6002ZC3                        | 2   |
| 84       | RETAINING RING FOR D15 SHAFT                | 1   |
| 85       | GREASE NIPPLE COMP.                         | 1   |
| 86       | TAPPING SCREW (W/FLANGE) D5x20              | 1   |
| 87       | MUFFLER PROTECTOR                           | 1   |
| 88       | MACHINE SCREW (W/SP.WASHERS) M5x16          | 1   |
| 89       | HEX. HOLE BOLT 6x18/S                       | 4   |
| 90       | HEX. SOCKET HD. BOLT (W/BUTTON) M5x20       | 2   |
| 91       | FIXATION PLATE (A)                          | 1   |
| 92       | FIXATION PLATE (B)                          | 1   |
| 93       | TAIL PIPE (A)                               | 1   |
| 94       | EXHAUST COVER                               | 1   |
| 95       | HITACHI LABEL                               | 1   |
| 96       | TAPPING SCREW D4.5x16                       | 1   |
| 97       | PLATE                                       | 1   |
| 98       | STARTER KNOB                                | 1   |
| 99       | STARTER ROPE                                | 1   |
| 100      | HEX. SOCKET HD. BOLT (W/BUTTON) M5x20       | 3   |
| 101      | RECOIL SPRING                               | 1   |
| 102      | STARTER ROPE REEL                           | 1   |
| 103      | DAMPER SPRING                               | 1   |
| 104      | CAM PLATE                                   | 1   |
| 105      | SET SCREW                                   | 1   |
| 106      | RECOIL STARTER ASS'Y (INCLUD.97-99,101-105) | 1   |
| 107      | AIR DEFLECTOR                               | 1   |
| 108      | FUEL TANK CAP ASS'Y (INCLUD.109)            | 1   |
| 109      | TANK CAP CHAIN                              | 1   |
| 110      | FUEL GROMMET                                | 1   |
| 111      | FUEL PIPE                                   | 1   |
| 112      | FUEL PIPE (PINK)                            | 1   |
| 113      | RETURN GROMMET                              | 1   |
| 114      | CLIP                                        | 1   |
| 115      | PUMP FILTER                                 | 1   |
| 116      | CUSHION RUBBER                              | 4   |
| 117      | TANK                                        | 1   |

| Item No. | Part Name                                    | QTY |
|----------|----------------------------------------------|-----|
| 118      | CAUTION LABEL                                | 1   |
| 141      | NAME PLATE                                   | 1   |
| 142      | HANDLE                                       | 1   |
| 143      | SEAL LOCK HEX. SOCKET HD. BOLT M5x40         | 2   |
| 144      | SPRING WASHER M5                             | 2   |
| 145      | BRAKE AXIS WASHER                            | 2   |
| 146      | HANDLE A                                     | 1   |
| 147      | CAUTION LABEL                                | 1   |
| 148      | SPRING (A)                                   | 1   |
| 149      | LOCK LEVER                                   | 1   |
| 150      | THROTTLE LEVER                               | 1   |
| 151      | TRIGGER LOCKOUT                              | 1   |
| 152      | THROTTLE LEVER SPRING                        | 1   |
| 153      | STOP SWITCH                                  | 1   |
| 154      | HANDLE B                                     | 1   |
| 155      | TAPPING SCREW (W/FLANGE) D4x16               | 4   |
| 156      | THROTTLE WIRE                                | 1   |
| 157      | PROTECTION TUBE                              | 1   |
| 158      | STOP SWITCH CORD                             | 1   |
| 159      | STOP SWITCH CORD (B)                         | 1   |
| 160      | FIXATION PLATE (B)                           | 1   |
| 161      | NYLON NUT M6                                 | 2   |
| 162      | BOLT WASHER 6                                | 2   |
| 163      | U-NUT M5                                     | 5   |
| 164      | WASHER (A)                                   | 2   |
| 165      | RUBBER WASHER                                | 2   |
| 166      | COLLER                                       | 1   |
| 167      | SUPPORT PLATE                                | 1   |
| 168      | BOLT WASHER D6                               | 2   |
| 169      | BLADE ASS'Y (INCLUD.163,172-173)             | 1   |
| 170      | HEX. SOCKET HD. BOLT (W/FLANGE) M5x8         | 1   |
| 171      | GUARD PLATE                                  | 1   |
| 172      | HEX. SOCKET HD. BOLT (W/BUTTON) M6x25        | 1   |
| 173      | WASHER (A)                                   | 5   |
| 174      | WASHER M7                                    | 5   |
| 175      | SHOULDER BUTTON BOLT M5x25                   | 4   |
| 176      | SHOULDER BUTTON BOLT M5x31                   | 1   |
| 177      | BLADE CASE                                   | 1   |
| 178      | HANDLE BRACKET                               | 1   |
| 179      | CLIP                                         | 1   |
| 180      | BOLT WASHER D5                               | 3   |
| 181      | SEAL LOCK HEX. SOCKET BOLT (W/WASHERS) M5x16 | 3   |
| 182      | GEAR CASE (A) ASS'Y (INCLUD.183)             | 1   |
| 183      | BALL BEARING 608ZZC3                         | 2   |
| 184      | HEX. SOCKET HD. BOLT (W/BUTTON) M6x25        | 1   |
| 185      | GUIDE PLATE (B)                              | 2   |
| 186      | CAM ROD                                      | 2   |
| 187      | GEAR 2                                       | 1   |
| 188      | FELT PACKING (B)                             | 2   |
| 189      | FELT PACKING (C)                             | 1   |
| 190      | GEAR CASE PACKING                            | 1   |
| 191      | GEAR CASE (B) ASS'Y (INCLUD.183)             | 1   |
| 192      | HEX. SOCKET HD. BOLT (W/SP.WASHER) M5x14     | 6   |
| 501      | BOX WRENCH 10/19MM                           | 1   |

CH22EB2 (62ST)



CH22EB2 (62ST)

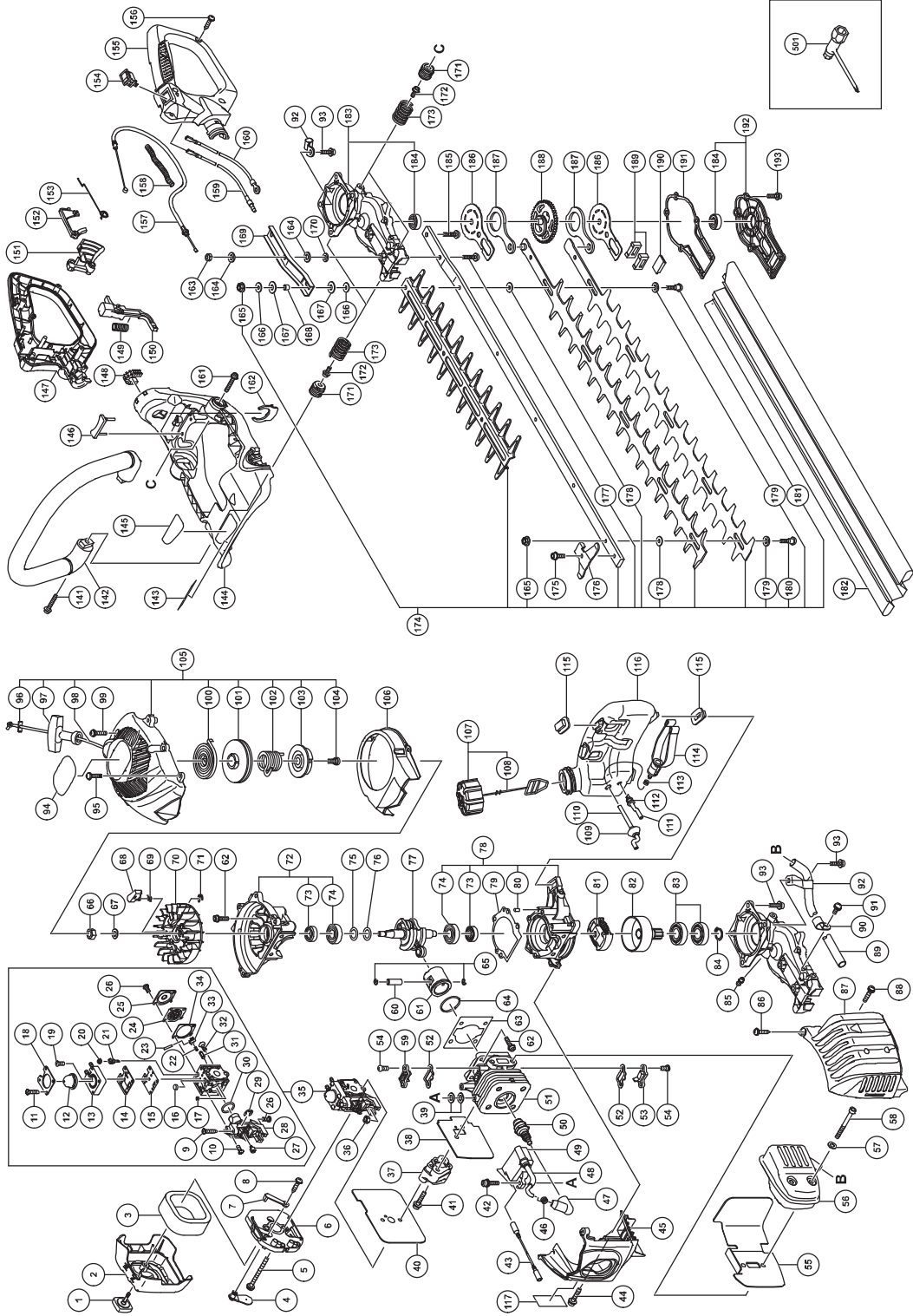
| Item No. | Part Name                                   | QTY |
|----------|---------------------------------------------|-----|
| 1        | COVER FIXING BOLT COMP.                     | 1   |
| 2        | CLEANER COVER                               | 1   |
| 3        | CLEANER SPONGE                              | 1   |
| 4        | CHOKE VALVE                                 | 1   |
| 5        | MACHINE SCREW (W/WASHERS) M5x60             | 2   |
| 6        | CLEANER BODY                                | 1   |
| 7        | CHOKE HANDLE                                | 1   |
| 8        | TAPPING SCREW (W/FLANGE) D4x12              | 1   |
| 9        | THROTTLE ADJUST SCREW (TAS)                 | 1   |
| 10       | SET SCREW (B)                               | 3   |
| 11       | SET SCREW (D)                               | 4   |
| 12       | SYRINGE                                     | 1   |
| 13       | PRIMER BASE                                 | 1   |
| 14       | PUMP GASKET                                 | 1   |
| 15       | PUMP DIAPHRAGM                              | 1   |
| 16       | STRAINER                                    | 1   |
| 17       | GUIDE PIN ROLLER                            | 1   |
| 18       | SYRINGE RETAINER                            | 1   |
| 19       | SET SCREW (E)                               | 1   |
| 20       | BALL PLUG RETAINER                          | 1   |
| 21       | ADJUSTING SCREW (MAIN MIXTURE)              | 1   |
| 22       | METERING LEVER SPRING                       | 1   |
| 23       | PIN                                         | 1   |
| 24       | METERING DIAPHRAGM                          | 1   |
| 25       | METERING COVER                              | 1   |
| 26       | SET SCREW (C)                               | 3   |
| 27       | POST                                        | 1   |
| 28       | ROTOR COVER                                 | 1   |
| 29       | RETAINING RING (E-TYPE) FOR D2.5 SHAFT      | 1   |
| 30       | O-RING                                      | 1   |
| 31       | INLET NEEDLE VALVE                          | 1   |
| 32       | SET SCREW (A)                               | 1   |
| 33       | METERING LEVER                              | 1   |
| 34       | METERING GASKET                             | 1   |
| 35       | CARBURETOR ASS'Y (INCLUD.9-34)              | 1   |
| 36       | LOCK NUT M6                                 | 1   |
| 37       | CARBURETOR INSULATOR                        | 1   |
| 38       | INTAKE PACKING                              | 1   |
| 39       | GLASS WASHER                                | 4   |
| 40       | CARBURETOR PACKING                          | 1   |
| 41       | SEAL LOCK HEX. SOCKET BOLT (W/WASHERS)M5x25 | 2   |
| 42       | HEX. SOCKET HD. BOLT (W/WASHERS) M4x18      | 2   |
| 43       | CORD                                        | 1   |
| 44       | SEAL LOCK HEX. SOCKET HD. BOLT M4x12        | 1   |
| 45       | CYLINDER COVER                              | 1   |
| 46       | METAL OF PLUG CAP (60) (B)                  | 1   |
| 47       | PLUG CAP                                    | 1   |
| 48       | CORD INSULATION TUBE                        | 1   |
| 49       | IGNITION COIL                               | 1   |
| 50       | SPARK PLUG                                  | 1   |
| 51       | CYLINDER                                    | 1   |
| 52       | COVER PACKING                               | 2   |
| 53       | INTAKE COVER (A)                            | 1   |
| 54       | SEAL LOCK SCREW M4x10                       | 4   |
| 55       | HEAT PROTECTION PANEL                       | 1   |
| 56       | MUFFLER                                     | 1   |
| 57       | BOLT WASHER M6                              | 2   |
| 58       | HEX. SOCKET HD. BOLT M6x55                  | 2   |
| 59       | INTAKE COVER (B)                            | 1   |

| Item No. | Part Name                                   | QTY |
|----------|---------------------------------------------|-----|
| 60       | PISTON PIN                                  | 1   |
| 61       | PISTON                                      | 1   |
| 62       | HEX. SOCKET HD. BOLT (W/SP.WASHER) M5x18    | 8   |
| 63       | CYLINDER PACKING                            | 1   |
| 64       | PISTON RING                                 | 1   |
| 65       | CIR CLIP                                    | 2   |
| 66       | FLYWHEEL NUT M7                             | 1   |
| 67       | BOLT WASHER D7                              | 1   |
| 68       | STARTER PAWL                                | 2   |
| 69       | STARTER PAWL SPRING                         | 2   |
| 70       | MAGNETO ROTOR                               | 1   |
| 71       | RETAINING RING D4                           | 2   |
| 72       | CRANK CASE (B) ASS'Y (INCLUD.73,74)         | 1   |
| 73       | OIL SEAL TB 12227                           | 2   |
| 74       | BALL BEARING 6001C3                         | 2   |
| 75       | SHIM T0.2                                   | 1   |
| 76       | SHIM T0.3                                   | 1   |
| 77       | CRANK SHAFT                                 | 1   |
| 78       | CRANK CASE (A) ASS'Y (INCLUD.73,74,80)      | 1   |
| 79       | CRANK CASE PACKING                          | 1   |
| 80       | KNOCK PIN 4x12                              | 2   |
| 81       | CLUTCH ASS'Y (B)                            | 1   |
| 82       | CLUTCH DRUM                                 | 1   |
| 83       | BALL BEARING 6002ZC3                        | 2   |
| 84       | RETAINING RING FOR D15 SHAFT                | 1   |
| 85       | GREASE NIPPLE COMP.                         | 1   |
| 86       | TAPPING SCREW (W/FLANGE) D5x20              | 1   |
| 87       | MUFFLER PROTECTOR                           | 1   |
| 88       | MACHINE SCREW (W/SP.WASHERS) M5x16          | 1   |
| 89       | HEX. HOLE BOLT 6x18/S                       | 4   |
| 90       | HEX. SOCKET HD. BOLT (W/BUTTON) M5x20       | 2   |
| 91       | FIXATION PLATE (A)                          | 1   |
| 92       | FIXATION PLATE (B)                          | 1   |
| 93       | TAIL PIPE (A)                               | 1   |
| 94       | EXHAUST COVER                               | 1   |
| 95       | HITACHI LABEL                               | 1   |
| 96       | TAPPING SCREW D4.5x16                       | 1   |
| 97       | PLATE                                       | 1   |
| 98       | STARTER KNOB                                | 1   |
| 99       | STARTER ROPE                                | 1   |
| 100      | HEX. SOCKET HD. BOLT (W/BUTTON) M5x20       | 3   |
| 101      | RECOIL SPRING                               | 1   |
| 102      | STARTER ROPE REEL                           | 1   |
| 103      | DAMPER SPRING                               | 1   |
| 104      | CAM PLATE                                   | 1   |
| 105      | SET SCREW                                   | 1   |
| 106      | RECOIL STARTER ASS'Y (INCLUD.97-99,101-105) | 1   |
| 107      | AIR DEFLECTOR                               | 1   |
| 108      | FUEL TANK CAP ASS'Y (INCLUD.109)            | 1   |
| 109      | TANK CAP CHAIN                              | 1   |
| 110      | FUEL GROMMET                                | 1   |
| 111      | FUEL PIPE                                   | 1   |
| 112      | FUEL PIPE (PINK)                            | 1   |
| 113      | RETURN GROMMET                              | 1   |
| 114      | CLIP                                        | 1   |
| 115      | PUMP FILTER                                 | 1   |
| 116      | CUSHION RUBBER                              | 4   |
| 117      | TANK                                        | 1   |

| Item No. | Part Name                                    | QTY |
|----------|----------------------------------------------|-----|
| 141      | NAME PLATE                                   | 1   |
| 142      | HANDLE                                       | 1   |
| 143      | SEAL LOCK HEX. SOCKET HD. BOLT M5x40         | 2   |
| 144      | SPRING WASHER M5                             | 2   |
| 145      | BRAKE AXIS WASHER                            | 2   |
| 146      | HANDLE A                                     | 1   |
| 147      | CAUTION LABEL                                | 1   |
| 148      | SPRING (A)                                   | 1   |
| 149      | LOCK LEVER                                   | 1   |
| 150      | THROTTLE LEVER                               | 1   |
| 151      | TRIGGER LOCKOUT                              | 1   |
| 152      | THROTTLE LEVER SPRING                        | 1   |
| 153      | STOP SWITCH                                  | 1   |
| 154      | HANDLE B                                     | 1   |
| 155      | TAPPING SCREW (W/FLANGE) D4x16               | 4   |
| 156      | THROTTLE WIRE                                | 1   |
| 157      | PROTECTION TUBE                              | 1   |
| 158      | STOP SWITCH CORD                             | 1   |
| 159      | STOP SWITCH CORD (B)                         | 1   |
| 160      | FIXATION PLATE (B)                           | 1   |
| 161      | NYLON NUT M6                                 | 2   |
| 162      | BOLT WASHER 6                                | 2   |
| 163      | U-NUT M5                                     | 5   |
| 164      | WASHER (A)                                   | 2   |
| 165      | RUBBER WASHER                                | 2   |
| 166      | COLLER                                       | 1   |
| 167      | SUPPORT PLATE                                | 1   |
| 168      | BOLT WASHER D6                               | 2   |
| 169      | BLADE ASS'Y (INCLUD.163,172-173)             | 1   |
| 170      | HEX. SOCKET HD. BOLT (W/FLANGE) M5x8         | 1   |
| 171      | GUARD PLATE                                  | 1   |
| 172      | HEX. SOCKET HD. BOLT (W/BUTTON) M6x25        | 1   |
| 173      | WASHER (A)                                   | 5   |
| 174      | WASHER M7                                    | 5   |
| 175      | SHOULDER BUTTON BOLT M5x25                   | 4   |
| 176      | SHOULDER BUTTON BOLT M5x31                   | 1   |
| 177      | BLADE CASE                                   | 1   |
| 178      | HANDLE BRACKET                               | 1   |
| 179      | CLIP                                         | 1   |
| 180      | BOLT WASHER D5                               | 3   |
| 181      | SEAL LOCK HEX. SOCKET BOLT (W/WASHERS) M5x16 | 3   |
| 182      | GEAR CASE (A) ASS'Y (INCLUD.183)             | 1   |
| 183      | BALL BEARING 608ZC3                          | 2   |
| 184      | HEX. SOCKET HD. BOLT (W/BUTTON) M6x25        | 1   |
| 185      | GUIDE PLATE (B)                              | 2   |
| 186      | CAM ROD                                      | 2   |
| 187      | GEAR 2                                       | 1   |
| 188      | FELT PACKING (B)                             | 2   |
| 189      | FELT PACKING (C)                             | 1   |
| 190      | GEAR CASE PACKING                            | 1   |
| 191      | GEAR CASE (B) ASS'Y (INCLUD.183)             | 1   |
| 192      | HEX. SOCKET HD. BOLT (W/SP.WASHER) M5x14     | 6   |
| 501      | BOX WRENCH 10/19MM                           | 1   |



CH22ECP2 (62ST) / CH22ECP2 (78ST)





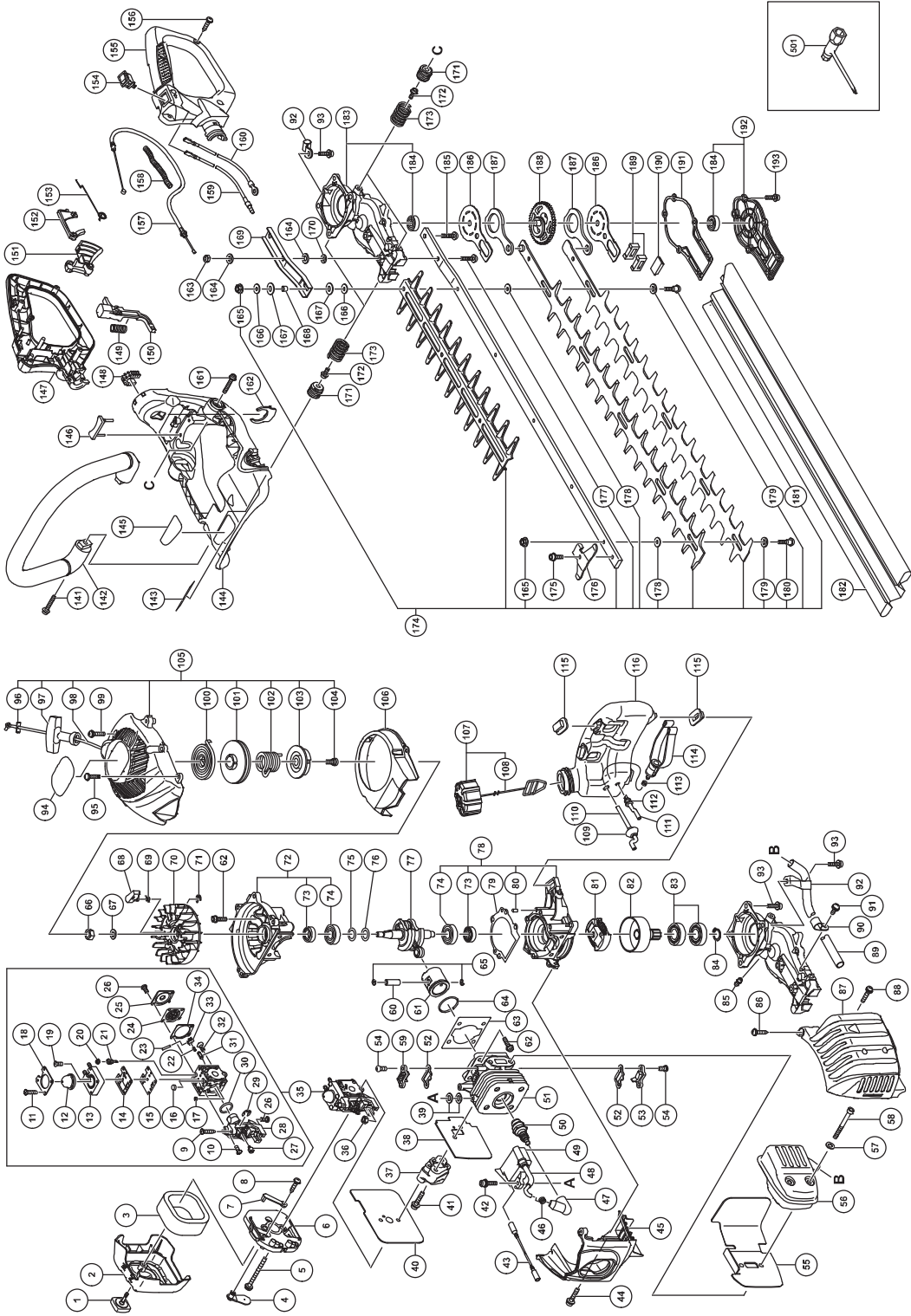
CH22ECP2 (62ST) / CH22ECP2 (78ST)

| Item No. | Part Name                                   | QTY |
|----------|---------------------------------------------|-----|
| 1        | COVER FIXING BOLT COMP.                     | 1   |
| 2        | CLEANER COVER                               | 1   |
| 3        | CLEANER SPONGE                              | 1   |
| 4        | CHOKE VALVE                                 | 1   |
| 5        | MACHINE SCREW (W/WASHERS) M5x60             | 2   |
| 6        | CLEANER BODY                                | 1   |
| 7        | CHOKE HANDLE                                | 1   |
| 8        | TAPPING SCREW (W/FLANGE) D4x12              | 1   |
| 9        | THROTTLE ADJUST SCREW (TAS)                 | 1   |
| 10       | SET SCREW (B)                               | 3   |
| 11       | SET SCREW (D)                               | 4   |
| 12       | SYRINGE                                     | 1   |
| 13       | PRIMER BASE                                 | 1   |
| 14       | PUMP GASKET                                 | 1   |
| 15       | PUMP DIAPHRAGM                              | 1   |
| 16       | STRAINER                                    | 1   |
| 17       | GUIDE PIN ROLLER                            | 1   |
| 18       | SYRINGE RETAINER                            | 1   |
| 19       | SET SCREW (E)                               | 1   |
| 20       | BALL PLUG RETAINER                          | 1   |
| 21       | ADJUSTING SCREW (MAIN MIXTURE)              | 1   |
| 22       | METERING LEVER SPRING                       | 1   |
| 23       | PIN                                         | 1   |
| 24       | METERING DIAPHRAGM                          | 1   |
| 25       | METERING COVER                              | 1   |
| 26       | SET SCREW (C)                               | 3   |
| 27       | POST                                        | 1   |
| 28       | ROTOR COVER                                 | 1   |
| 29       | RETAINING RING (E-TYPE) FOR D2.5 SHAFT      | 1   |
| 30       | O-RING                                      | 1   |
| 31       | INLET NEEDLE VALVE                          | 1   |
| 32       | SET SCREW (A)                               | 1   |
| 33       | METERING LEVER                              | 1   |
| 34       | METERING GASKET                             | 1   |
| 35       | CARBURETOR ASS'Y (INCLUD.9-34)              | 1   |
| 36       | LOCK NUT M6                                 | 1   |
| 37       | CARBURETOR INSULATOR                        | 1   |
| 38       | INTAKE PACKING                              | 1   |
| 39       | GLASS WASHER                                | 4   |
| 40       | CARBURETOR PACKING                          | 1   |
| 41       | SEAL LOCK HEX. SOCKET BOLT (W/WASHERS)M5x25 | 2   |
| 42       | HEX. SOCKET HD. BOLT (W/WASHERS) M4x18      | 2   |
| 43       | CORD                                        | 1   |
| 44       | SEAL LOCK HEX. SOCKET HD. BOLT M4x12        | 1   |
| 45       | CYLINDER COVER                              | 1   |
| 46       | METAL OF PLUG CAP (60) (B)                  | 1   |
| 47       | PLUG CAP                                    | 1   |
| 48       | CORD INSULATION TUBE                        | 1   |
| 49       | IGNITION COIL                               | 1   |
| 50       | SPARK PLUG                                  | 1   |
| 51       | CYLINDER                                    | 1   |
| 52       | COVER PACKING                               | 2   |
| 53       | INTAKE COVER (A)                            | 1   |
| 54       | SEAL LOCK SCREW M4x10                       | 4   |
| 55       | HEAT PROTECTION PANEL                       | 1   |
| 56       | MUFFLER                                     | 1   |
| 57       | BOLT WASHER M6                              | 2   |
| 58       | HEX. SOCKET HD. BOLT M6x55                  | 2   |

| Item No. | Part Name                                   | QTY |
|----------|---------------------------------------------|-----|
| 59       | INTAKE COVER (B)                            | 1   |
| 60       | PISTON PIN                                  | 1   |
| 61       | PISTON                                      | 1   |
| 62       | HEX. SOCKET HD. BOLT (W/SP.WASHER) M5x18    | 8   |
| 63       | CYLINDER PACKING                            | 1   |
| 64       | PISTON RING                                 | 1   |
| 65       | CIR CLIP                                    | 2   |
| 66       | FLYWHEEL NUT M7                             | 1   |
| 67       | BOLT WASHER D7                              | 1   |
| 68       | STARTER PAWL                                | 2   |
| 69       | STARTER PAWL SPRING                         | 2   |
| 70       | MAGNETO ROTOR                               | 1   |
| 71       | RETAINING RING D4                           | 2   |
| 72       | CRANK CASE (B) ASS'Y (INCLUD.73,74)         | 1   |
| 73       | OIL SEAL TB 12227                           | 2   |
| 74       | BALL BEARING 6001C3                         | 2   |
| 75       | SHIM T0.2                                   | 1   |
| 76       | SHIM T0.3                                   | 1   |
| 77       | CRANK SHAFT                                 | 1   |
| 78       | CRANK CASE (A) ASS'Y (INCLUD.73,74,80)      | 1   |
| 79       | CRANK CASE PACKING                          | 1   |
| 80       | KNOCK PIN 4X12                              | 2   |
| 81       | CLUTCH ASS'Y (B)                            | 1   |
| 82       | CLUTCH DRUM                                 | 1   |
| 83       | BALL BEARING 6002ZC3                        | 2   |
| 84       | RETAINING RING FOR D15 SHAFT                | 1   |
| 85       | GREASE NIPPLE COMP.                         | 1   |
| 86       | TAPPING SCREW (W/FLANGE) D5x20              | 1   |
| 87       | MUFFLER PROTECTOR                           | 1   |
| 88       | MACHINE SCREW (W/SP.WASHERS) M5x16          | 1   |
| 89       | TAIL PIPE                                   | 1   |
| 90       | FIXATION PLATE (A)                          | 1   |
| 91       | MACHINE SCREW (W/WASHERS) M4x10             | 1   |
| 92       | FIXATION PLATE (B)                          | 1   |
| 93       | HEX. HOLE BOLT 6x18/S                       | 4   |
| 94       | HITACHI LABEL                               | 1   |
| 95       | TAPPING SCREW D4.5x16                       | 1   |
| 96       | PLATE                                       | 1   |
| 97       | STARTER KNOB                                | 1   |
| 98       | STARTER ROPE                                | 1   |
| 99       | HEX. SOCKET HD. BOLT (W/BUTTON) M5x20       | 3   |
| 100      | RECOIL SPRING                               | 1   |
| 101      | STARTER ROPE REEL                           | 1   |
| 102      | DAMPER SPRING                               | 1   |
| 103      | CAM PLATE                                   | 1   |
| 104      | SET SCREW                                   | 1   |
| 105      | RECOIL STARTER ASS'Y (INCLUD.97-99,101-105) | 1   |
| 106      | AIR DEFLECTOR                               | 1   |
| 107      | FUEL TANK CAP ASS'Y (INCLUD.109)            | 1   |
| 108      | TANK CAP CHAIN                              | 1   |
| 109      | FUEL GROMMET                                | 1   |
| 110      | FUEL PIPE                                   | 1   |
| 111      | FUEL PIPE (PINK)                            | 1   |
| 112      | RETURN GROMMET                              | 1   |
| 113      | CLIP                                        | 1   |
| 114      | PUMP FILTER                                 | 1   |
| 115      | CUSHION RUBBER                              | 4   |
| 116      | TANK                                        | 1   |

| Item No. | Part Name                                | QTY |
|----------|------------------------------------------|-----|
| 117      | CAUTION LABEL                            | 1   |
| 141      | HEX. SOCKET HD. BOLT (W/FLANGE) M6x32    | 4   |
| 142      | FRONT HANDLE                             | 1   |
| 143      | CAUTION LABEL                            | 1   |
| 144      | FRAME                                    | 1   |
| 145      | NAME PLATE                               | 1   |
| 146      | DAMPER                                   | 1   |
| 147      | HANDLE A                                 | 1   |
| 148      | FLEXIBLE GROMMET                         | 1   |
| 149      | SPRING (A)                               | 1   |
| 150      | LOCK LEVER                               | 1   |
| 151      | THROTTLE LEVER                           | 1   |
| 152      | TRIGGER LOCKOUT                          | 1   |
| 153      | THROTTLE LEVER SPRING                    | 1   |
| 154      | STOP SWITCH                              | 1   |
| 155      | HANDLE B                                 | 1   |
| 156      | TAPPING SCREW (W/FLANGE) D4x16 (BLACK)   | 4   |
| 157      | THROTTLE WIRE                            | 1   |
| 158      | PROTECTION TUBE                          | 1   |
| 159      | STOP SWITCH CORD                         | 1   |
| 160      | STOP SWITCH CORD (B)                     | 1   |
| 161      | HEX. SOCKET HD. BOLT (W/FLANGE) M6x22    | 4   |
| 162      | CLIP                                     | 1   |
| 163      | NYLON NUT M6                             | 2   |
| 164      | BOLT WASHER 6                            | 2   |
| 165      | U-NUT M5                                 | 5   |
| 166      | WASHER (A) (FOR 620MM)                   | 2   |
| 167      | RUBBER WASHER (FOR 620MM)                | 2   |
| 168      | COLLAR (FOR 620MM)                       | 1   |
| 169      | SUPPORT PLATE                            | 1   |
| 171      | SPRING HOLDER                            | 4   |
| 172      | HEX. SOCKET HD. BOLT (W/FLANGE) M5x10    | 4   |
| 173      | ANTIVIBRATION SPRING                     | 4   |
| 174      | BLADE ASS'Y (INCLUD.165,177-181)         | 1   |
| 175      | HEX. SOCKET HD. BOLT (W/FLANGE) M5x8     | 1   |
| 176      | GUARD PLATE                              | 1   |
| 177      | HEX. SOCKET HD. BOLT (W/BUTTON) M6x25    | 1   |
| 178      | WASHER (A)                               | 5   |
| 179      | WASHER M7                                | 5   |
| 180      | SHOULDER BUTTON BOLT M5x25               | 4   |
| 181      | SHOULDER BUTTON BOLT M5x31               | 1   |
| 182      | BLADE CASE                               | 1   |
| 183      | GEAR CASE (A) ASS'Y (INCLUD.184)         | 1   |
| 184      | BALL BEARING 608ZZC3                     | 2   |
| 185      | HEX. SOCKET HD. BOLT (W/BUTTON) M6x25    | 1   |
| 186      | GUIDE PLATE (B)                          | 2   |
| 187      | CAM ROD                                  | 2   |
| 188      | GEAR 2                                   | 1   |
| 189      | FELT PACKING (B)                         | 2   |
| 190      | FELT PACKING (C)                         | 1   |
| 191      | GEAR CASE PACKING                        | 1   |
| 192      | GEAR CASE (B) ASS'Y (INCLUD.184)         | 1   |
| 193      | HEX. SOCKET HD. BOLT (W/SP.WASHER) M5x14 | 6   |
| 501      | BOX WRENCH 10/19MM                       | 1   |

CH22EC2 (62ST) / CH22EC2 (78ST)

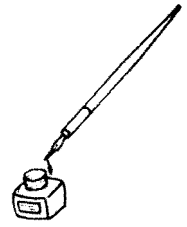


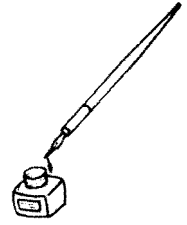
CH22EC2 (62ST) / CH22EC2 (78ST)

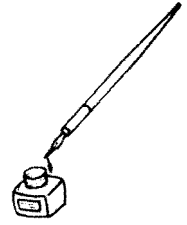
| Item No. | Part Name                                   | QTY |
|----------|---------------------------------------------|-----|
| 1        | COVER FIXING BOLT COMP.                     | 1   |
| 2        | CLEANER COVER                               | 1   |
| 3        | CLEANER SPONGE                              | 1   |
| 4        | CHOKE VALVE                                 | 1   |
| 5        | MACHINE SCREW (W/WASHERS) M5x60             | 2   |
| 6        | CLEANER BODY                                | 1   |
| 7        | CHOKE HANDLE                                | 1   |
| 8        | TAPPING SCREW (W/FLANGE) D4X12              | 1   |
| 9        | THROTTLE ADJUST SCREW (TAS)                 | 1   |
| 10       | SET SCREW (B)                               | 3   |
| 11       | SET SCREW (D)                               | 4   |
| 12       | SYRINGE                                     | 1   |
| 13       | PRIMER BASE                                 | 1   |
| 14       | PUMP GASKET                                 | 1   |
| 15       | PUMP DIAPHRAGM                              | 1   |
| 16       | STRAINER                                    | 1   |
| 17       | GUIDE PIN ROLLER                            | 1   |
| 18       | SYRINGE RETAINER                            | 1   |
| 19       | SET SCREW (E)                               | 1   |
| 20       | BALL PLUG RETAINER                          | 1   |
| 21       | ADJUSTING SCREW (MAIN MIXTURE)              | 1   |
| 22       | METERING LEVER SPRING                       | 1   |
| 23       | PIN                                         | 1   |
| 24       | METERING DIAPHRAGM                          | 1   |
| 25       | METERING COVER                              | 1   |
| 26       | SET SCREW (C)                               | 3   |
| 27       | POST                                        | 1   |
| 28       | ROTOR COVER                                 | 1   |
| 29       | RETAINING RING (E-TYPE) FOR D2.5 SHAFT      | 1   |
| 30       | O-RING                                      | 1   |
| 31       | INLET NEEDLE VALVE                          | 1   |
| 32       | SET SCREW (A)                               | 1   |
| 33       | METERING LEVER                              | 1   |
| 34       | METERING GASKET                             | 1   |
| 35       | CARBURETOR ASS'Y (INCLUD.9-34)              | 1   |
| 36       | LOCK NUT M6                                 | 1   |
| 37       | CARBURETOR INSULATOR                        | 1   |
| 38       | INTAKE PACKING                              | 1   |
| 39       | GLASS WASHER                                | 4   |
| 40       | CARBURETOR PACKING                          | 1   |
| 41       | SEAL LOCK HEX. SOCKET BOLT (W/WASHERS)M5x25 | 2   |
| 42       | HEX. SOCKET HD. BOLT (W/WASHERS) M4x18      | 2   |
| 43       | CORD                                        | 1   |
| 44       | SEAL LOCK HEX. SOCKET HD. BOLT M4x12        | 1   |
| 45       | CYLINDER COVER                              | 1   |
| 46       | METAL OF PLUG CAP (60) (B)                  | 1   |
| 47       | PLUG CAP                                    | 1   |
| 48       | CORD INSULATION TUBE                        | 1   |
| 49       | IGNITION COIL                               | 1   |
| 50       | SPARK PLUG                                  | 1   |
| 51       | CYLINDER                                    | 1   |
| 52       | COVER PACKING                               | 2   |
| 53       | INTAKE COVER (A)                            | 1   |
| 54       | SEAL LOCK SCREW M4x10                       | 4   |
| 55       | HEAT PROTECTION PANEL                       | 1   |
| 56       | MUFFLER                                     | 1   |
| 57       | BOLT WASHER M6                              | 2   |
| 58       | HEX. SOCKET HD. BOLT M6x55                  | 2   |
| 59       | INTAKE COVER (B)                            | 1   |

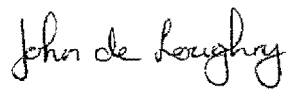
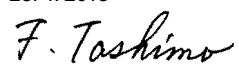
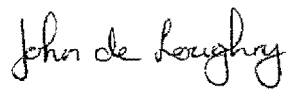
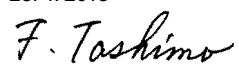
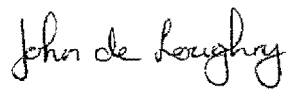
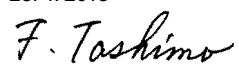
| Item No. | Part Name                                   | QTY |
|----------|---------------------------------------------|-----|
| 60       | PISTON PIN                                  | 1   |
| 61       | PISTON                                      | 1   |
| 62       | HEX. SOCKET HD. BOLT (W/SP.WASHER) M5x18    | 8   |
| 63       | CYLINDER PACKING                            | 1   |
| 64       | PISTON RING                                 | 1   |
| 65       | CIR CLIP                                    | 2   |
| 66       | FLYWHEEL NUT M7                             | 1   |
| 67       | BOLT WASHER D7                              | 1   |
| 68       | STARTER PAWL                                | 2   |
| 69       | STARTER PAWL SPRING                         | 2   |
| 70       | MAGNETO ROTOR                               | 1   |
| 71       | RETAINING RING D4                           | 2   |
| 72       | CRANK CASE (B) ASS'Y (INCLUD.73,74)         | 1   |
| 73       | OIL SEAL TB 12227                           | 2   |
| 74       | BALL BEARING 6001C3                         | 2   |
| 75       | SHIM T0.2                                   | 1   |
| 76       | SHIM T0.3                                   | 1   |
| 77       | CRANK SHAFT                                 | 1   |
| 78       | CRANK CASE (A) ASS'Y (INCLUD.73,74,80)      | 1   |
| 79       | CRANK CASE PACKING                          | 1   |
| 80       | KNOCK PIN 4x12                              | 2   |
| 81       | CLUTCH ASS'Y (B)                            | 1   |
| 82       | CLUTCH DRUM                                 | 1   |
| 83       | BALL BEARING 6002ZC3                        | 2   |
| 84       | RETAINING RING FOR D15 SHAFT                | 1   |
| 85       | GREASE NIPPLE COMP.                         | 1   |
| 86       | TAPPING SCREW (W/FLANGE) D5X20              | 1   |
| 87       | MUFFLER PROTECTOR                           | 1   |
| 88       | MACHINE SCREW (W/SP.WASHERS) M5x16          | 1   |
| 89       | TAIL PIPE                                   | 1   |
| 90       | FIXATION PLATE (A)                          | 1   |
| 91       | MACHINE SCREW (W/WASHERS) M4x10             | 1   |
| 92       | FIXATION PLATE (B)                          | 2   |
| 93       | HEX. HOLE BOLT 6x18/S                       | 4   |
| 94       | HITACHI LABEL                               | 1   |
| 95       | TAPPING SCREW D4.5x16                       | 1   |
| 96       | PLATE                                       | 1   |
| 97       | STARTER KNOB                                | 1   |
| 98       | STARTER ROPE                                | 1   |
| 99       | HEX. SOCKET HD. BOLT (W/BUTTON) M5x20       | 3   |
| 100      | RECOIL SPRING                               | 1   |
| 101      | STARTER ROPE REEL                           | 1   |
| 102      | DAMPER SPRING                               | 1   |
| 103      | CAM PLATE                                   | 1   |
| 104      | SET SCREW                                   | 1   |
| 105      | RECOIL STARTER ASS'Y (INCLUD.97-99,101-105) | 1   |
| 106      | AIR DEFLECTOR                               | 1   |
| 107      | FUEL TANK CAP ASS'Y (INCLUD.109)            | 1   |
| 108      | TANK CAP CHAIN                              | 1   |
| 109      | FUEL GROMMET                                | 1   |
| 110      | FUEL PIPE                                   | 1   |
| 111      | FUEL PIPE (PINK)                            | 1   |
| 112      | RETURN GROMMET                              | 1   |
| 113      | CLIP                                        | 1   |
| 114      | PUMP FILTER                                 | 1   |
| 115      | CUSHION RUBBER                              | 4   |
| 116      | TANK                                        | 1   |


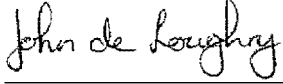

| Item No. | Part Name                                | QTY |
|----------|------------------------------------------|-----|
| 141      | HEX. SOCKET HD. BOLT (W/FLANGE) M6x32    | 4   |
| 142      | FRONT HANDLE                             | 1   |
| 143      | CAUTION LABEL                            | 1   |
| 144      | FRAME                                    | 1   |
| 145      | NAME PLATE                               | 1   |
| 146      | DAMPER                                   | 1   |
| 147      | HANDLE A                                 | 1   |
| 148      | FLEXIBLE GROMMET                         | 1   |
| 149      | SPRING (A)                               | 1   |
| 150      | LOCK LEVER                               | 1   |
| 151      | THROTTLE LEVER                           | 1   |
| 152      | TRIGGER LOCKOUT                          | 1   |
| 153      | THROTTLE LEVER SPRING                    | 1   |
| 154      | STOP SWITCH                              | 1   |
| 155      | HANDLE B                                 | 1   |
| 156      | TAPPING SCREW (W/FLANGE) D4x16 (BLACK)   | 4   |
| 157      | THROTTLE WIRE                            | 1   |
| 158      | PROTECTION TUBE                          | 1   |
| 159      | STOP SWITCH CORD                         | 1   |
| 160      | STOP SWITCH CORD (B)                     | 1   |
| 161      | HEX. SOCKET HD. BOLT (W/FLANGE) M6x22    | 4   |
| 162      | CLIP                                     | 1   |
| 163      | NYLON NUT M6                             | 2   |
| 164      | BOLT WASHER 6                            | 2   |
| 165      | U-NUT M5                                 | 5   |
| 166      | WASHER (A) (FOR 620MM)                   | 2   |
| 167      | RUBBER WASHER (FOR 620MM)                | 2   |
| 168      | COLLAR (FOR 620MM)                       | 1   |
| 169      | SUPPORT PLATE                            | 1   |
| 171      | SPRING HOLDER                            | 4   |
| 172      | HEX. SOCKET HD. BOLT (W/FLANGE) M5x10    | 4   |
| 173      | ANTIVIBRATION SPRING                     | 4   |
| 174      | BLADE ASS'Y (INCLUD.165,177-181)         | 1   |
| 175      | HEX. SOCKET HD. BOLT (W/FLANGE) M5x8     | 1   |
| 176      | GUARD PLATE                              | 1   |
| 177      | HEX. SOCKET HD. BOLT (W/BUTTON) M6x25    | 1   |
| 178      | WASHER (A)                               | 5   |
| 179      | WASHER M7                                | 5   |
| 180      | SHOULDER BUTTON BOLT M5x25               | 4   |
| 181      | SHOULDER BUTTON BOLT M5x31               | 1   |
| 182      | BLADE CASE                               | 1   |
| 183      | GEAR CASE (A) ASS'Y (INCLUD.184)         | 1   |
| 184      | BALL BEARING 608ZC3                      | 2   |
| 185      | HEX. SOCKET HD. BOLT (W/BUTTON) M6x25    | 1   |
| 186      | GUIDE PLATE (B)                          | 2   |
| 187      | CAM ROD                                  | 2   |
| 188      | GEAR 2                                   | 1   |
| 189      | FELT PACKING (B)                         | 2   |
| 190      | FELT PACKING (C)                         | 1   |
| 191      | GEAR CASE PACKING                        | 1   |
| 192      | GEAR CASE (B) ASS'Y (INCLUD.184)         | 1   |
| 193      | HEX. SOCKET HD. BOLT (W/SP.WASHER) M5x14 | 6   |
| 501      | BOX WRENCH 10/19MM                       | 1A  |







|                                                                                                                                                                                                                                                                                                                                                                                                                                                                                                                                                                                                                                                                                                                                                                                                                                                                                                                     |                                                                                                                                                                                                                                                                                                                                                                                                                                                                                                                                                                                                                                                                                                                                        |                                                                                                                                                                                                                                                                                                                                                                                               |                                                                                                                                                                                                                                                                                                                                                                  |
|---------------------------------------------------------------------------------------------------------------------------------------------------------------------------------------------------------------------------------------------------------------------------------------------------------------------------------------------------------------------------------------------------------------------------------------------------------------------------------------------------------------------------------------------------------------------------------------------------------------------------------------------------------------------------------------------------------------------------------------------------------------------------------------------------------------------------------------------------------------------------------------------------------------------|----------------------------------------------------------------------------------------------------------------------------------------------------------------------------------------------------------------------------------------------------------------------------------------------------------------------------------------------------------------------------------------------------------------------------------------------------------------------------------------------------------------------------------------------------------------------------------------------------------------------------------------------------------------------------------------------------------------------------------------|-----------------------------------------------------------------------------------------------------------------------------------------------------------------------------------------------------------------------------------------------------------------------------------------------------------------------------------------------------------------------------------------------|------------------------------------------------------------------------------------------------------------------------------------------------------------------------------------------------------------------------------------------------------------------------------------------------------------------------------------------------------------------|
| <p><b>English</b></p> <p>Object of declaration: Hitachi Hedge Trimmer CH22EAP2, CH22EBP2, CH22ECP2</p> <p><b>EC DECLARATION OF CONFORMITY</b><br/>(Applies to Europe only)</p> <p>We declare under our sole responsibility that this product is in conformity with Directive 2006/42/EC, 2004/108/EC and 2000/14/EC. The following standards have been taken into consideration.<br/>ISO 10517, EN55012<br/>Annex V (2000/14/EC):<br/>Measured sound power level: 102 dB<br/>Guaranteed sound power level: 104 dB<br/>The European Standards Manager at Hitachi Koki Europe Ltd. is authorized to compile the technical file.<br/><br/>This declaration is applicable to the product affixed CE marking.</p>                                                                                                                                                                                                        | <p><b>Nederlands</b></p> <p>Onderwerp van verklaring: Hitachi Motor heggenschaar CH22EAP2, CH22EBP2, CH22ECP2</p> <p><b>EC VERKLARING VAN CONFORMITEIT</b><br/>(Geldt alleen voor Europa)</p> <p>Wij verklaren onder eigen verantwoordelijkheid dat dit product voldoet aan de richtlijn 2006/42/EC, 2004/108/EC en 2000/14/EC. De volgende standaards zijn toegepast.<br/>ISO 10517, EN55012<br/>Aanvulling V (2000/14/EC):<br/>Gemeten geluidsdruk: 102 dB<br/>Gegarandeerde geluidsdruk: 104 dB<br/>De manager voor Europese normen van Hitachi Koki Europe Ltd. heeft de bevoegdheid tot het samenstellen van het technische bestand.<br/><br/>Deze verklaring is van toepassing op producten voorzien van de CE-markeringen.</p>  |                                                                                                                                                                                                                                                                                                                                                                                               |                                                                                                                                                                                                                                                                                                                                                                  |
| <p><b>Deutsch</b></p> <p>Gegenstand der Erklärung: Hitachi Heckenschere CH22EAP2, CH22EBP2, CH22ECP2</p> <p><b>EG-KONFORMITÄTSERKLÄRUNG</b><br/>(Gilt nur für Europa)</p> <p>Wir erklären eigenverantwortlich, dass dieses Produkt den Bestimmungen der Richtlinien 2006/42/EG, 2004/108/EG und 2000/14/EG des Europäischen Rates entspricht. Die nachfolgenden Standards wurden in Betracht gezogen.<br/>ISO 10517, EN55012<br/>Anhang V (2000/14/EG):<br/>Gemessener Schalleistungspegel: 102 dB<br/>Garantierter Schalleistungspegel: 104 dB<br/>Der Manager für europäische Standards bei der Hitachi Koki Europe Ltd. ist zum Verfassen der technischen Datei befugt.<br/><br/>Diese Erklärung gilt für Produkte, die die CE-Markierung tragen.</p>                                                                                                                                                            | <p><b>Español</b></p> <p>Objeto de declaración: Hitachi Cortasetos CH22EAP2, CH22EBP2, CH22ECP2</p> <p><b>DECLARACIÓN DE CONFORMIDAD DE LA CE</b><br/>(De aplicación sólo en Europa)</p> <p>Declaramos bajo nuestra exclusiva responsabilidad que este producto es conforme con las Directivas 2006/42/CE, 2004/108/CE y 2000/14/CE. Se han tenido en consideración las siguientes normas.<br/>ISO 10517, EN55012<br/>Anexo V (2000/14/CE):<br/>Nivel de potencia acústica medida: 102 dB<br/>Nivel de potencia acústica garantizada: 104 dB<br/>El Jefe de Normas Europeas de Hitachi Koki Europe Ltd. está autorizado para recopilar archivos técnicos.<br/><br/>Esta declaración se aplica a los productos con marcas de la CE.</p> |                                                                                                                                                                                                                                                                                                                                                                                               |                                                                                                                                                                                                                                                                                                                                                                  |
| <p><b>Français</b></p> <p>Objet de la déclaration: Hitachi Taille-Haies CH22EAP2, CH22EBP2, CH22ECP2</p> <p><b>DECLARATION DE CONFORMITE CE</b><br/>(Concerne l'Europe uniquement)</p> <p>Nous déclarons sur la foi de notre seule responsabilité que ce produit est conforme aux dispositions des Directives du Conseil de l'Union européenne 2006/42/EC, 2004/108/EC et 2000/14/EC. Les normes suivantes ont été prises en considération.<br/>ISO 10517, EN55012<br/>Annexe V (2000/14/EC):<br/>Niveau de puissance sonore mesuré: 102 dB<br/>Niveau de puissance sonore garanti: 104 dB<br/>Le responsable des normes européennes d'Hitachi Koki Europe Ltd. est autorisé à compiler les données techniques.<br/><br/>Cette déclaration s'applique aux produits désignés CE.</p>                                                                                                                                 | <p><b>Português</b></p> <p>Objeto de declaração: Hitachi Corta-sebes CH22EAP2, CH22EBP2, CH22ECP2</p> <p><b>DECLARAÇÃO DE CONFORMIDADE CE</b><br/>(Aplica-se apenas à Europa)</p> <p>Declaramos para os devidos efeitos que este produto cumpre os requisitos das directivas comunitárias 2006/42/CE, 2004/108/CE e 2000/14/CE. As seguintes normas harmonizadas foram aplicadas.<br/>ISO 10517, EN55012<br/>Anexo V (2000/14/CE):<br/>Nível medido de potência de som: 102 dB<br/>Nível garantido de potência de som: 104 dB<br/>O Gestor de Normas Europeias da Hitachi Koki Europe Ltd. está autorizado a compilar o ficheiro técnico.<br/><br/>Esta declaração se aplica aos produtos designados CE.</p>                           |                                                                                                                                                                                                                                                                                                                                                                                               |                                                                                                                                                                                                                                                                                                                                                                  |
| <p><b>Italiano</b></p> <p>Oggetto della dichiarazione: Hitachi Tosasiepi CH22EAP2, CH22EBP2, CH22ECP2</p> <p><b>DICHIARAZIONE DI CONFORMITÀ CE</b><br/>(Si applica solo all'Europa)</p> <p>Dichiaro sotto la nostra esclusiva responsabilità che questo prodotto è conforme alle Direttive del Consiglio 2006/42/CE, 2004/108/CE e 2000/14/CE. Sono stati presi in considerazione i seguenti standard.<br/>ISO 10517, EN55012<br/>Allegato V (2000/14/CE):<br/>Livello di potenza sonora misurato: 102 dB<br/>Livello di potenza sonora garantito: 104 dB<br/>Il Responsabile delle Norme Europee di Hitachi Koki Ltd. è autorizzato a compilare la scheda tecnica.<br/><br/>Questa dichiarazione è applicabile ai prodotti cui sono applicati i marchi CE.</p>                                                                                                                                                     |                                                                                                                                                                                                                                                                                                                                                                                                                                                                                                                                                                                                                                                                                                                                        |                                                                                                                                                                                                                                                                                                                                                                                               |                                                                                                                                                                                                                                                                                                                                                                  |
| <table border="0"> <tr> <td data-bbox="263 1556 885 1859"> <p><b>Hitachi Koki Europe Ltd.</b><br/>Clonshaugh Business &amp; Technology Park, Dublin 17, Ireland</p> <p>Representative office in Europe<br/><b>Hitachi Power Tools Europe GmbH</b><br/>Siemensring 34, 47877 Willich 1, F. R. Germany</p> <p>Head office in Japan<br/><b>Hitachi Koki Co., Ltd.</b><br/>Shinagawa Intercity Tower A, 15-1, Konan 2-chome,<br/>Minato-ku, Tokyo, Japan</p> </td> <td data-bbox="917 1556 1324 1859" style="text-align: right;"> <p>28. 4. 2013</p> <p></p> <p>Mr. John de Loughry<br/>European Standards and<br/>Compliance Manager</p> <p>28. 4. 2013</p> <p></p> <p>F. Tashimo<br/>Vice-President &amp; Director</p> </td> </tr> </table> |                                                                                                                                                                                                                                                                                                                                                                                                                                                                                                                                                                                                                                                                                                                                        | <p><b>Hitachi Koki Europe Ltd.</b><br/>Clonshaugh Business &amp; Technology Park, Dublin 17, Ireland</p> <p>Representative office in Europe<br/><b>Hitachi Power Tools Europe GmbH</b><br/>Siemensring 34, 47877 Willich 1, F. R. Germany</p> <p>Head office in Japan<br/><b>Hitachi Koki Co., Ltd.</b><br/>Shinagawa Intercity Tower A, 15-1, Konan 2-chome,<br/>Minato-ku, Tokyo, Japan</p> | <p>28. 4. 2013</p> <p></p> <p>Mr. John de Loughry<br/>European Standards and<br/>Compliance Manager</p> <p>28. 4. 2013</p> <p></p> <p>F. Tashimo<br/>Vice-President &amp; Director</p> |
| <p><b>Hitachi Koki Europe Ltd.</b><br/>Clonshaugh Business &amp; Technology Park, Dublin 17, Ireland</p> <p>Representative office in Europe<br/><b>Hitachi Power Tools Europe GmbH</b><br/>Siemensring 34, 47877 Willich 1, F. R. Germany</p> <p>Head office in Japan<br/><b>Hitachi Koki Co., Ltd.</b><br/>Shinagawa Intercity Tower A, 15-1, Konan 2-chome,<br/>Minato-ku, Tokyo, Japan</p>                                                                                                                                                                                                                                                                                                                                                                                                                                                                                                                       | <p>28. 4. 2013</p> <p></p> <p>Mr. John de Loughry<br/>European Standards and<br/>Compliance Manager</p> <p>28. 4. 2013</p> <p></p> <p>F. Tashimo<br/>Vice-President &amp; Director</p>                                                                                                                                                                                                                                                                                                                                                                       |                                                                                                                                                                                                                                                                                                                                                                                               |                                                                                                                                                                                                                                                                                                                                                                  |

|                                                                                                                                                                                                                                                                                                                                                                                                                                                                                                                                                                                                                                                                                                                                                                                                                                                                                                               |                                                                                                                                                                                                                                                                                                                                                                                                                                                                                                                                                                                                                                                                                             |
|---------------------------------------------------------------------------------------------------------------------------------------------------------------------------------------------------------------------------------------------------------------------------------------------------------------------------------------------------------------------------------------------------------------------------------------------------------------------------------------------------------------------------------------------------------------------------------------------------------------------------------------------------------------------------------------------------------------------------------------------------------------------------------------------------------------------------------------------------------------------------------------------------------------|---------------------------------------------------------------------------------------------------------------------------------------------------------------------------------------------------------------------------------------------------------------------------------------------------------------------------------------------------------------------------------------------------------------------------------------------------------------------------------------------------------------------------------------------------------------------------------------------------------------------------------------------------------------------------------------------|
| <p><b>Svenska</b></p> <p>Objekt för deklaration: Hitachi Håcksax CH22EAP2, CH22EBP2, CH22ECP2<br/> <u>EF-DEKLARATION BETRÄFFANDE LIKFORMIGHET</u><br/> (Gäller endast Europa)</p> <p>Vi intygar under ensamt ansvar, att denna produkt motsvarar bestämmelserna i direktiven 2006/42/EF, 2004/108/EF och 2000/14/EF.<br/> Vi har tagit hänsyn till följande standards.<br/> ISO 10517, EN55012<br/> Bilaga V (2000/14/EF):<br/> Uppmätt ljudstyrkenivå: 102 dB<br/> Garanterad ljudstyrkenivå: 104 dB<br/> Den europeiska standardansvarige på Hitachi Koki Europe Ltd. är auktoriserad att utarbeta den tekniska filen.<br/> Denna deklaration gäller för CE-märkningen på produkten.</p>                                                                                                                                                                                                                    | <p><b>Norsk</b></p> <p>Erklæringens objekt: Hitachi Hekksaks CH22EAP2, CH22EBP2, CH22ECP2<br/> <u>EF'S ERKLÆRING OM OVERENSSTEMMELSE</u><br/> (Gjelder bare for Europa)</p> <p>Vi erklærer med vårt eneansvar at dette produktet er i overensstemmelse med EU direktiv 2006/42/EF, 2004/108/EF og 2000/14/EF.<br/> Det er tatt hensyn til følgende standarder.<br/> ISO 10517, EN55012<br/> Anneks V (2000/14/EF):<br/> Målt lydeffektivnivå: 102 dB<br/> Garantert lydeffektivnivå: 104 dB<br/> Lederen for europeiske standarder ved Hitachi Koki Europe Ltd. har fullmakt til å utarbeide det tekniske dokumentet.<br/> Denne erklæringen gjelder produktets påklistrede CE-merking.</p> |
| <p><b>Dansk</b></p> <p>Genstand for erklæring: Hitachi Hækkeklipper CH22EAP2, CH22EBP2, CH22ECP2<br/> <u>EF-OVERENSSTEMMELSESERKLÆRING</u><br/> (Gælder kun for Europa)</p> <p>Vi erklærer som eneansvarlige, at dette produkt er i overensstemmelse med Rådsdirektiv 2006/42/EF, 2004/108/EF og 2000/14/EF.<br/> De følgende standarder har været iagttaget.<br/> ISO 10517, EN55012<br/> Appendix V (2000/14/EF):<br/> Målt lydstrykeniveau: 102 dB<br/> Garanteret lydstrykeniveau: 104 dB<br/> Chefen for europæiske standarder hos Hitachi Koki Europe Ltd. er autoriseret til at compilere den tekniske fil.<br/> Denne erklæring gælder produkter, der er mærket med CE.</p>                                                                                                                                                                                                                           | <p><b>Suomi</b></p> <p>Ilmoituksen kohde: Hitachi Pensasleikkuri CH22EAP2, CH22EBP2, CH22ECP2<br/> <u>EY-ILMOITUS YHDENMUKAISUUDESTA</u><br/> (Koskee vain Eurooppaa)</p> <p>Ilmoitamme yksinomaisella vastuullamme, että tämä tuote on direktiivien 2006/42/EY, 2004/108/EY ja 2000/14/EY vaatimusten mukainen.<br/> Seuraavat standardit on huomioitu.<br/> ISO 10517, EN55012<br/> Lite V (2000/14/EY):<br/> Mitattu äänenpainetaso: 102 dB<br/> Taattu äänempanetaso: 104 dB<br/> Hitachi Koki Europe Ltd.:n eurooppalaisten standardien johtaja on valtuutettu laatimaan tekniset asiakirjat.<br/> Tämä ilmoitus sovelletaan tuotekohtaiseen CE-merkintään.</p>                        |
| <p><b>Hitachi Koki Europe Ltd.</b><br/> Clonsbaugh Business &amp; Technology Park, Dublin 17, Ireland</p> <p>Representative office in Europe<br/> <b>Hitachi Power Tools Europe GmbH</b><br/> Siemensring 34, 47877 Willich 1, F. R. Germany</p> <p>Head office in Japan<br/> <b>Hitachi Koki Co., Ltd.</b><br/> Shinagawa Intercity Tower A, 15-1, Konan 2-chome,<br/> Minato-ku, Tokyo, Japan</p> <p style="text-align: right;">28. 4. 2013<br/> <br/> <br/> Mr. John de Loughry<br/> European Standards and<br/> Compliance Manager</p> <p style="text-align: right;">28. 4. 2013<br/> <br/> F. Tashimo<br/> Vice-President &amp; Director</p> |                                                                                                                                                                                                                                                                                                                                                                                                                                                                                                                                                                                                                                                                                             |

 **Hitachi Koki Co., Ltd.**

304  
Code No. E99252872 NA  
Printed in China